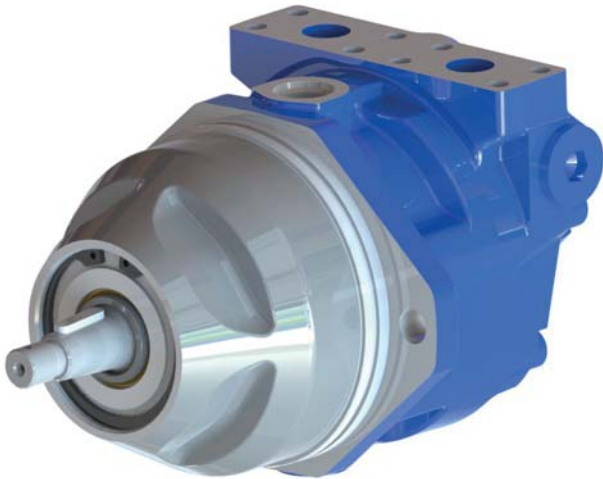
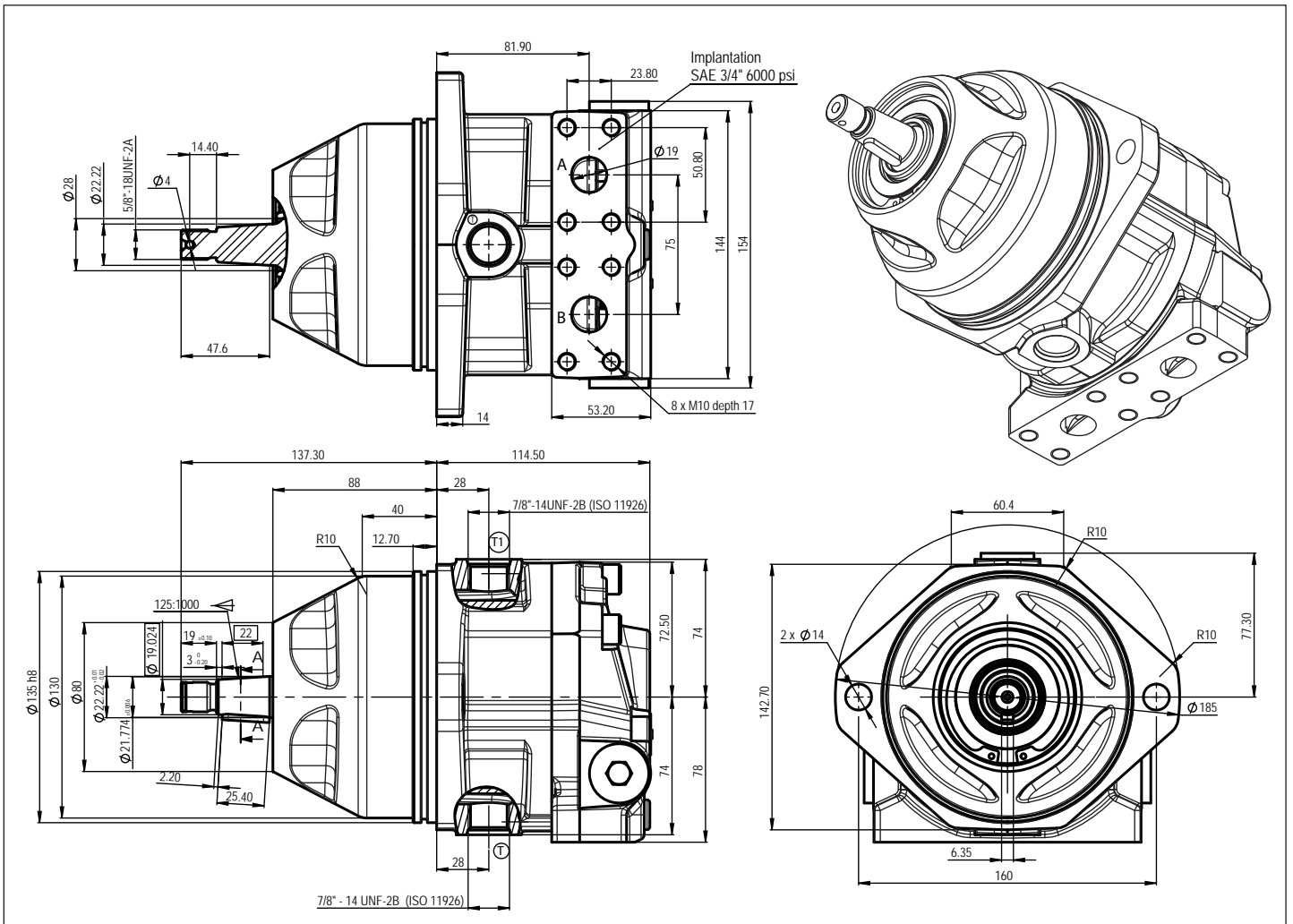


MT45

In-line motor - 45 cc



► **Dimensions (mm):**



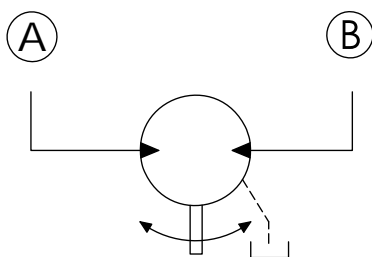
► **Inlet ports A and B :**

SAE J518C flange connections
SAE 3/4" 6000 psi - Threads M10. Depth 17 mm

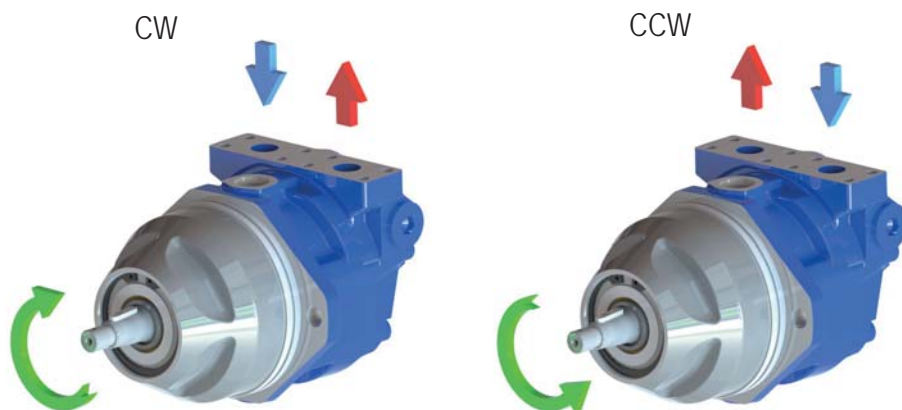
► **Drain ports T and T1 :**

ISO 11926 - 7/8"-14UNF-2B

► **Schematics:**



Dual direction of rotation



► **Performance:**

Motor	MT45
Displacement (cc/rev)	45,1
Maximum continuous speed N_0 (rpm)	4000
Maximum intermittent speed (rpm)	4200
Maximum flow absorbed at N_0 (L/min)	180.4
Maximum continuous pressure (bar)	280
Maximum peak pressure (bar)	300
Torque / bar (N.m/bar)	0.72
Torque at 280 bar (N.m)	200
Power at 280 bar at N_0 (kW)	84
Temperature (°C)	-25 / 110
Weight (kg)	18.5
Acceptable axial force (N)	1500
Acceptable radial force (N)	2000

► **Options:**

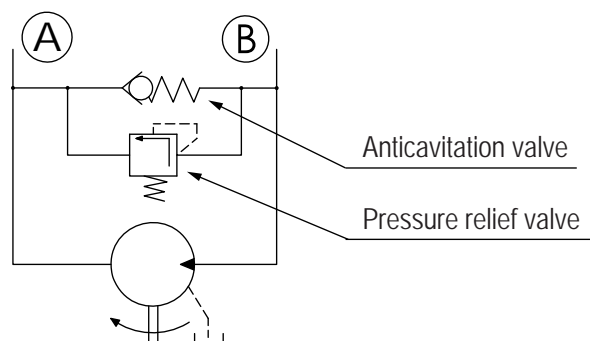
► **Integrated anticavitation valve + pressure relief valve (150 bar or 300 bar)**

The anticavitation valve is used in cases where motor (when stopped) is driven by the application (i.e: fan drive application). When system is stopped, the anticavitation valve provides the necessary fluid to the motor to avoid cavitation until complete motor shutdown (inertia phase). This valve is integrated in the motor back part.

The pressure relief valve protects the hydraulic motor against the pressure peaks generated by the circuit. Once the opening pressure has been reached, the hydraulic fluid flows from the high pressure side to the low pressure side.

► **CCW configuration (counter-clockwise)**

NB: On request, the CW version (clockwise) of this motor is available.



For further information, please feel free to contact our Technical Department.
Mr Hervé COLIN - Tel : +33(0)3 83 76 05 37 - hcolin@hydroleduc.com



www.hydroleduc.com

