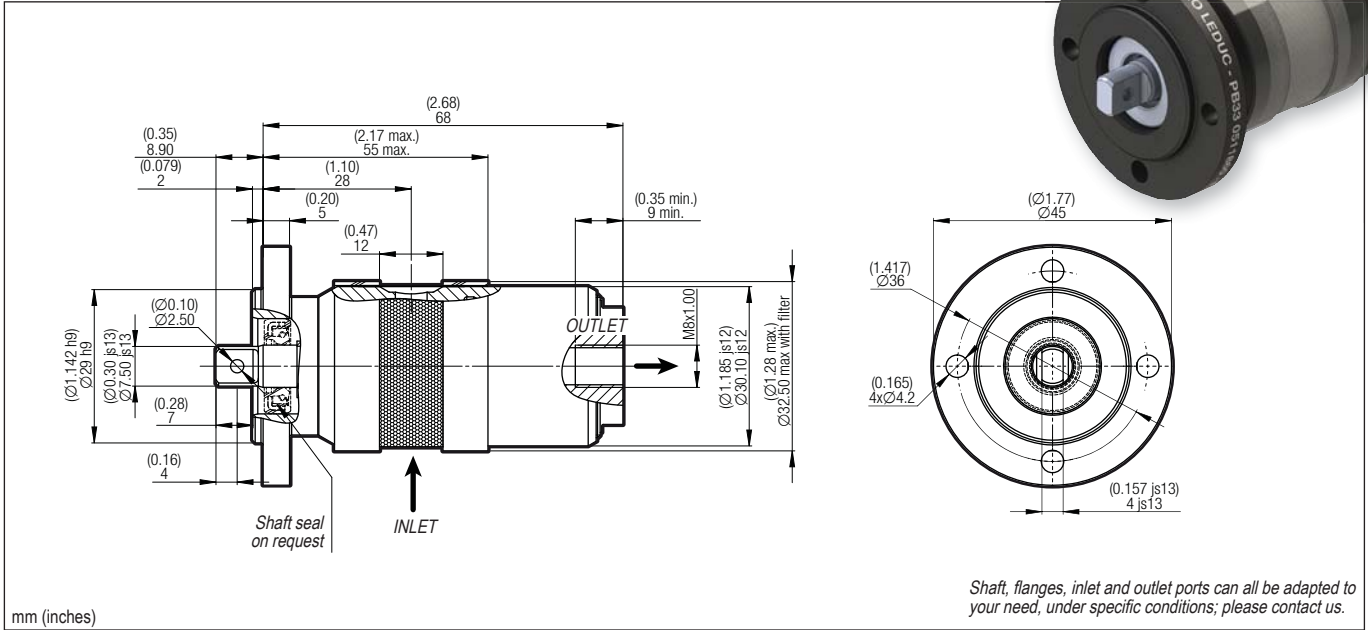


Fixed displacement micropumps

PB32 -PB32.5 -PB33 -PB33.5 -PB33HP



Characteristics

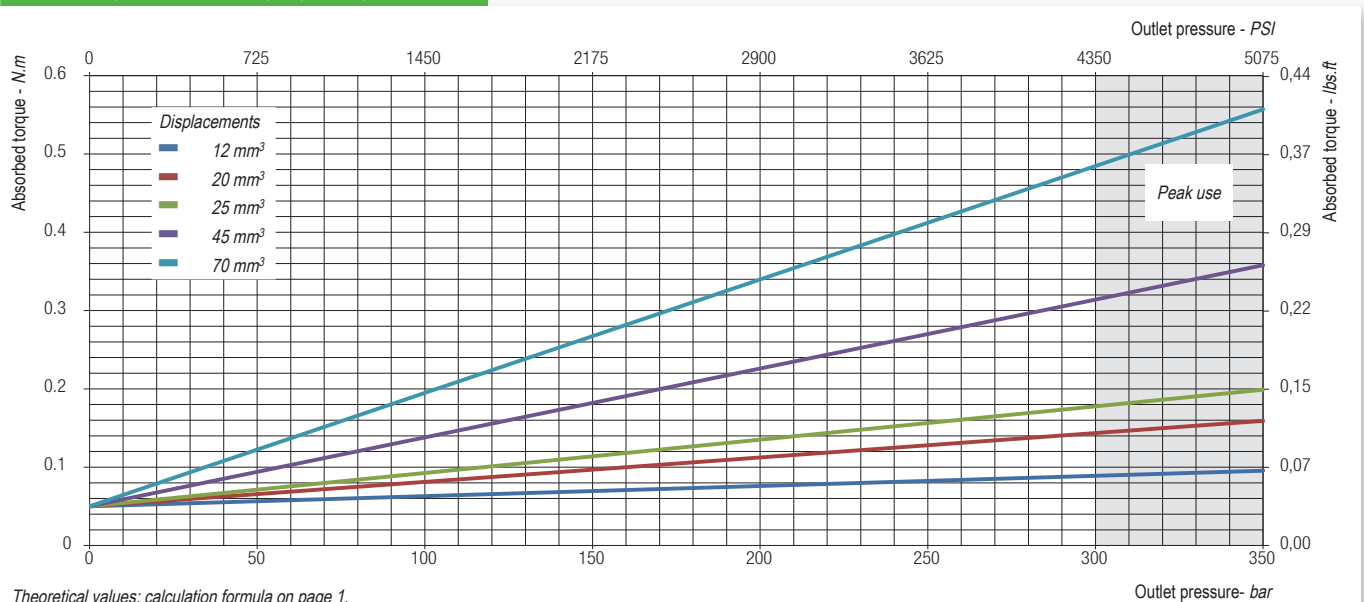
Type of pump	Displacement	Direction of rotation	Max. rotating speed (rpm)		Max. pressure			
			mm ³	Cu.in	continuous	peak	continuous	peak
			continuous	peak	bar	PSI	bar	PSI
PB32	0518110	CW & CCW	5000	6000	300	4350	350	5075
	0523370		5000	6000	300	4350	350	5075
	0523380		5000	6000	300	4350	350	5075
PB32.5	0511860		5000	6000	300	4350	350	5075
PB33	0532220	CCW	5000	6000	300	4350	350	5075
PB33.5	0570000	CCW	5000	6000	300	4350	350	5075
PB33 HP	0545600	CW	5000	6000	900	13050	1000	14500

Up to 1000 bar peak

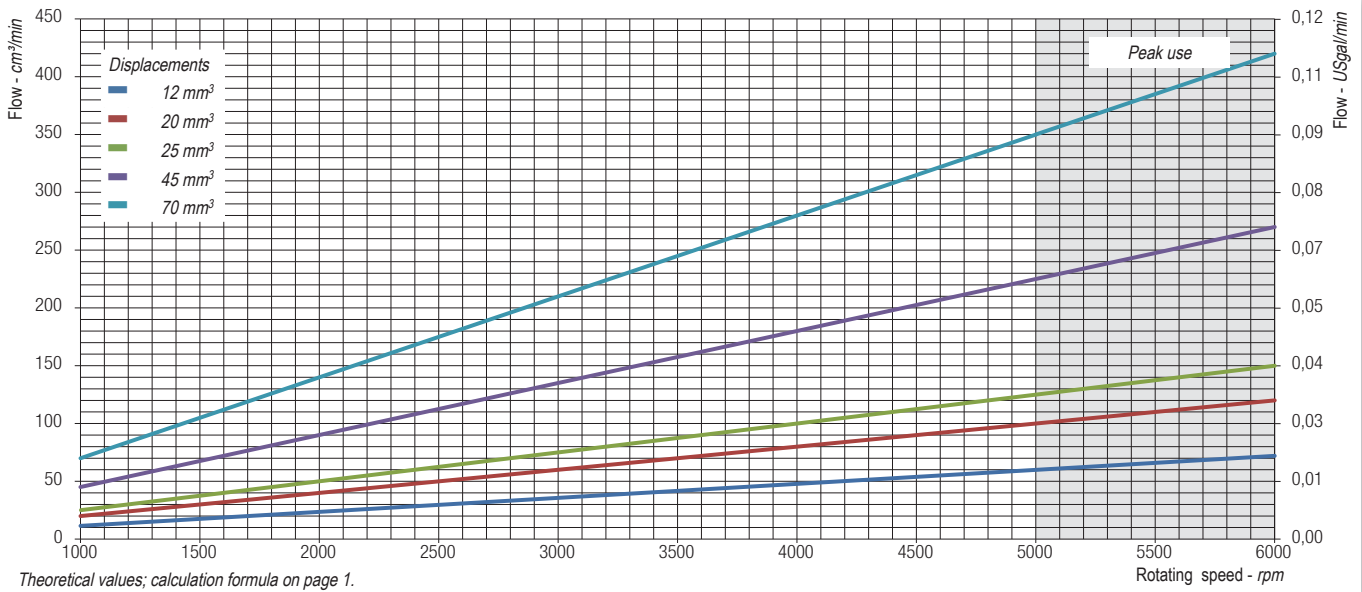
Technical characteristics

- Max. operating temperature: 200°C (392°F)
- Weight (standard pump): 0.33 kg (0.66 lbs)

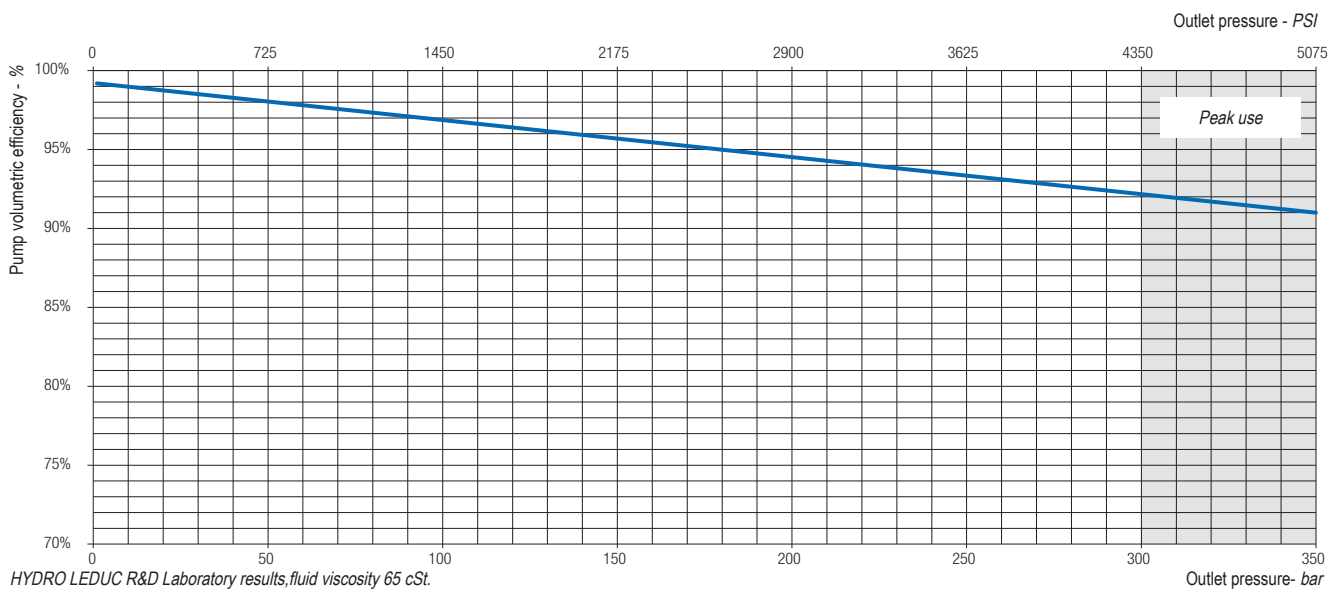
Absorbed torque as a function of pump outlet pressure



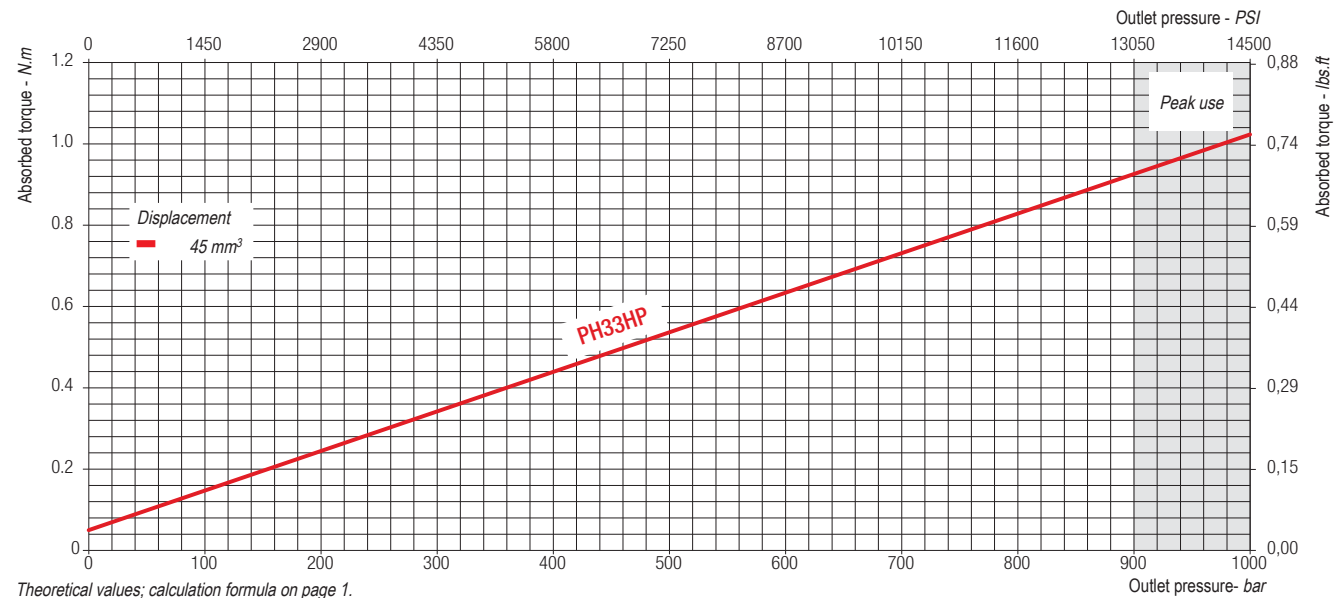
Flow as a function of rotating speed



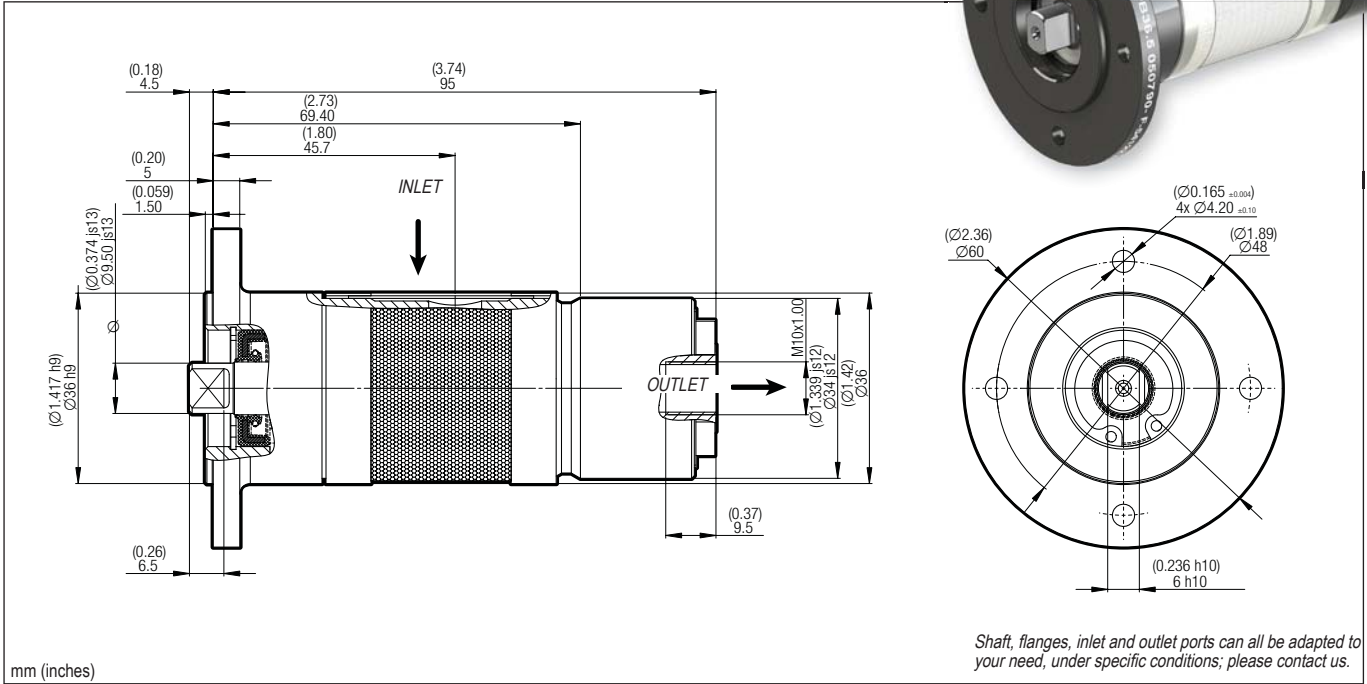
Volumetric efficiency as a function of outlet pressure



Absorbed torque as a function of outlet pressure – PB33HP



Fixed displacement micropumps PB36.5



Characteristics

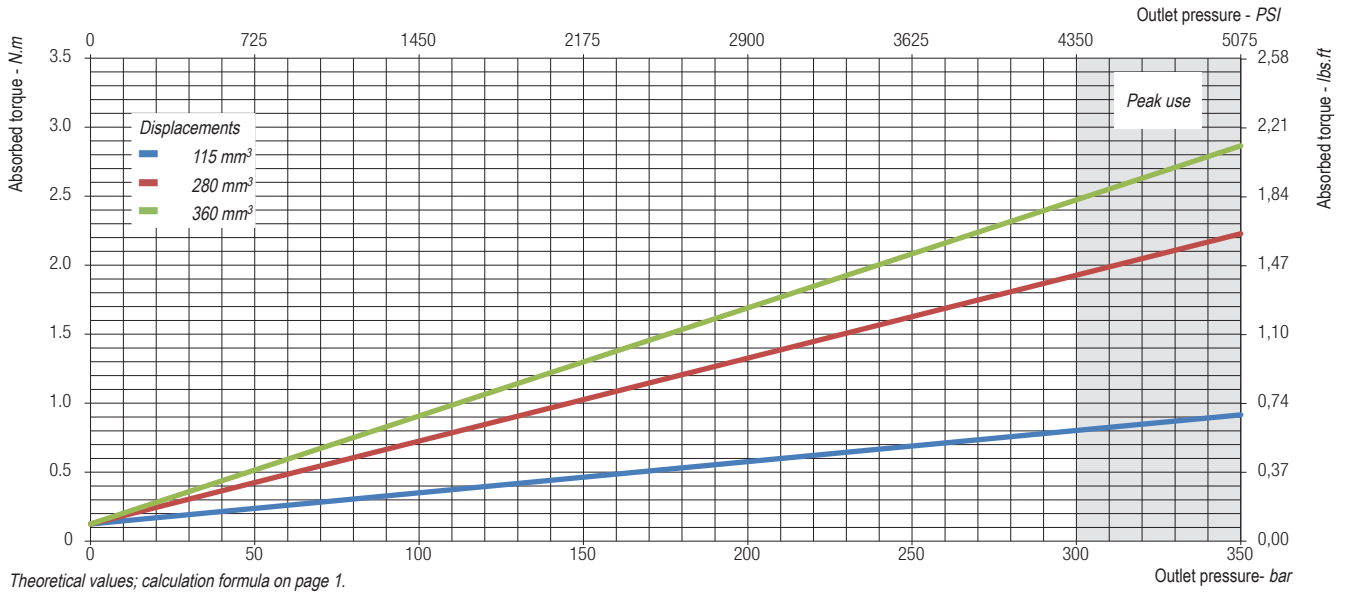
Type of pump	Displacement	Direction of rotation	Max. rotating speed (rpm)		Max. pressure					
			mm ³	Cu.in	continuous	peak	continuous	peak		
			bar	PSI	bar	PSI				
PB36.5	050720	115	0.0070	CCW	5000	6000	300	4350	350	5075
	050790	280	0.0170	CW	5000	6000	300	4350	350	5075
	057310	360	0.0220	CCW	5000	6000	300	4350	350	5075

Technical characteristics

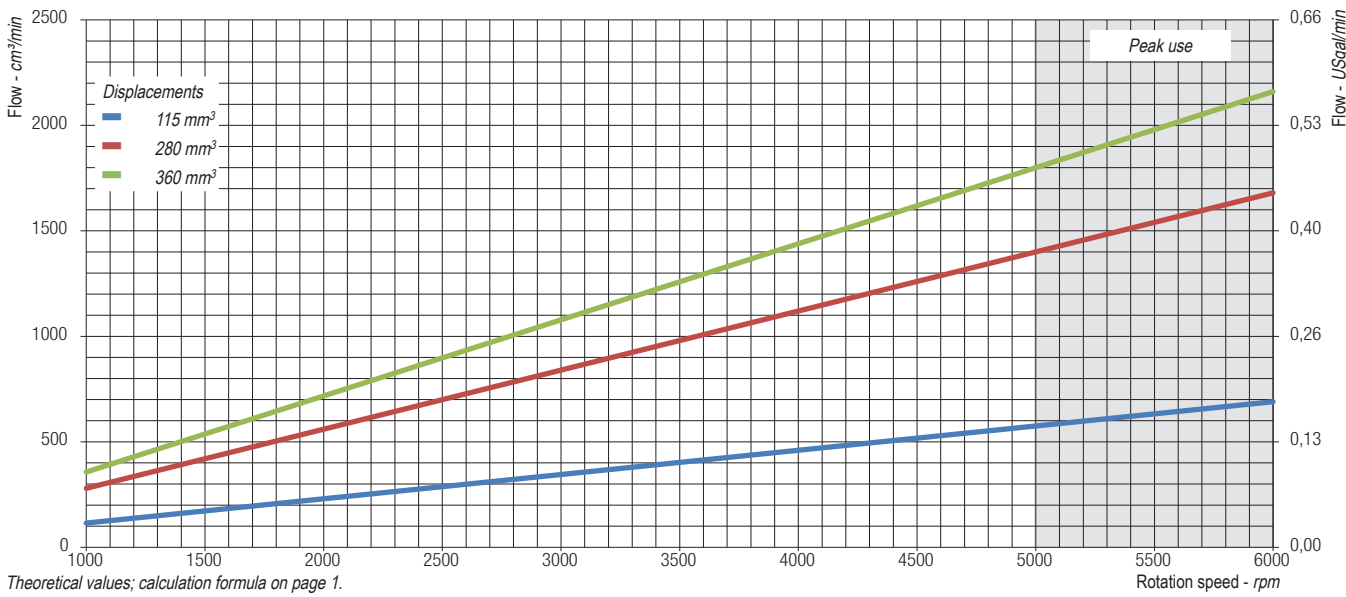
- Max. operating temperature: 200°C (392°F)
- Weight (standard pump): 0.6 kg (1.32 lbs)

Fixed displacement micropumps PB36.5

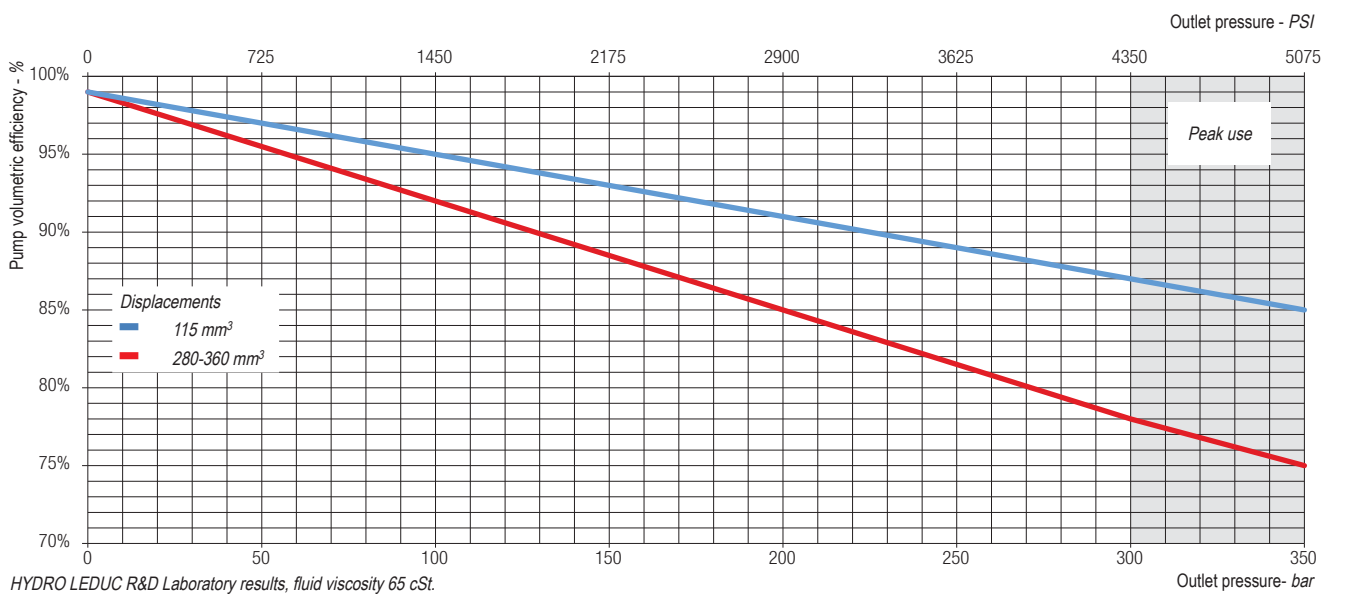
Absorbed torque as a function of outlet pressure



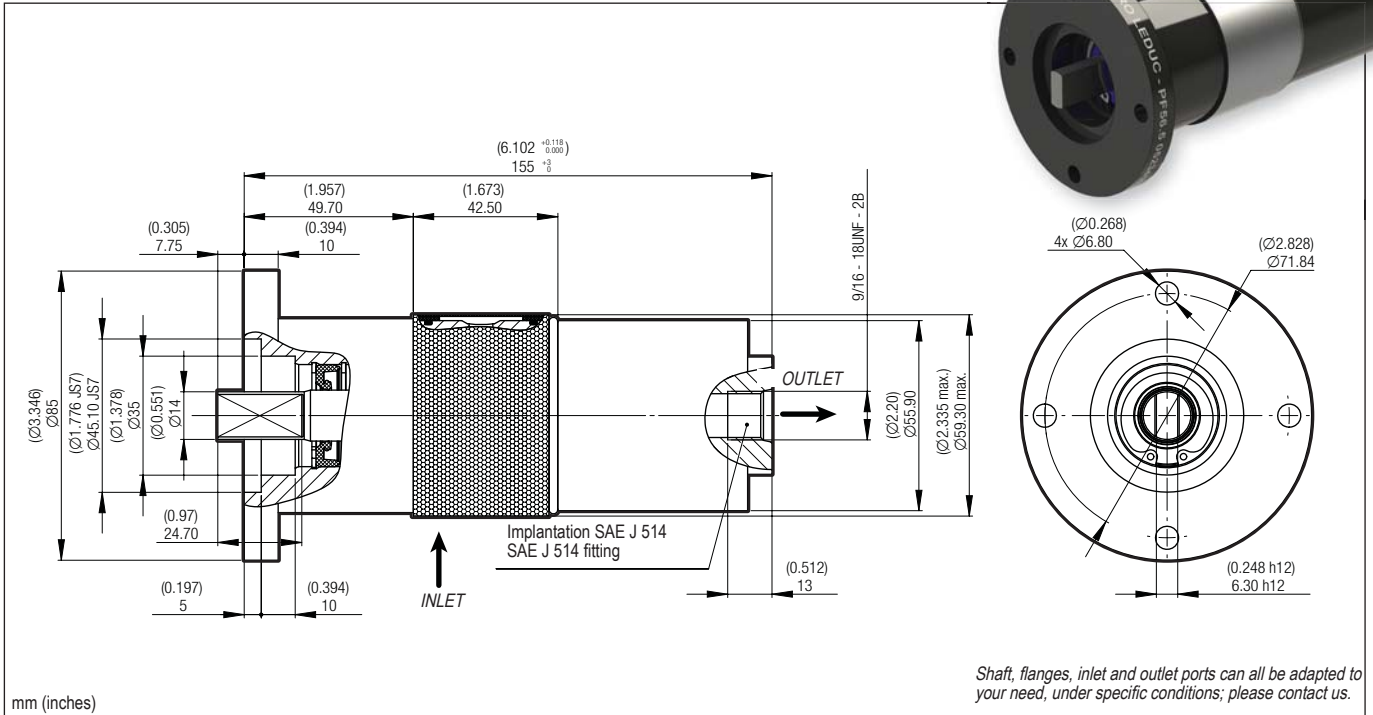
Flow as a function of rotating speed



Volumetric efficiency as a function of outlet pressure



Fixed displacement micropumps PF56.5



Characteristics

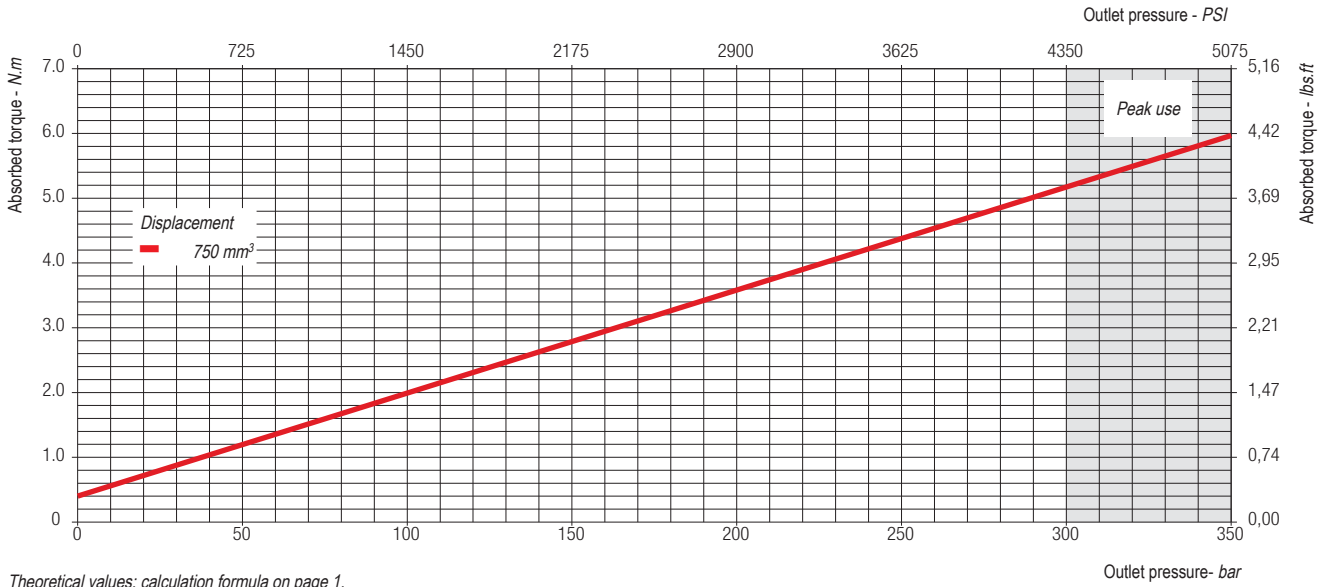
Type of pump	Displacement	Direction of rotation	Max. rotating speed continuous	Max. pressure					
				continuous	peak	continuous	peak		
	mm ³	Cu.in	rpm	bar	PSI	bar	PSI		
PF56.5	0523400	750	0.0458	CW	4000	300	4350	350	5075
	0515970	1000	0.0610	SH	4000	300	4350	350	5075

Technical characteristics

- Max. operating temperature: 200°C (392°F)
- Weight (standard pump): 2.5 kg (5.5 lbs)

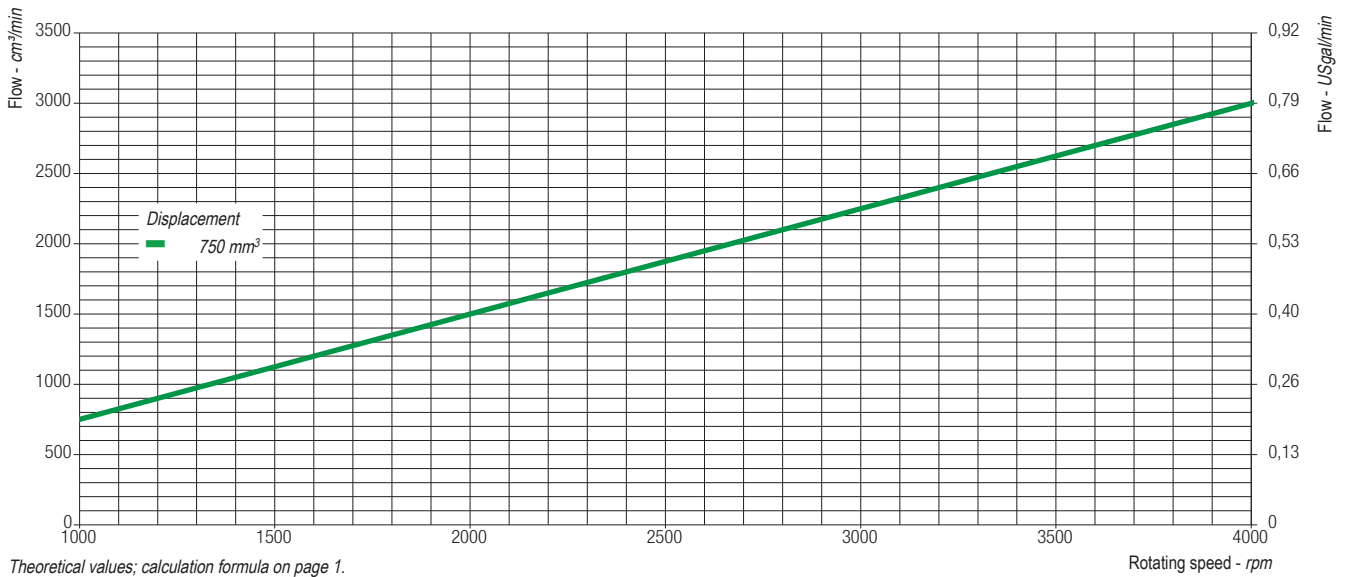
Fixed displacement micropumps PF56.5

Absorbed torque as a function of outlet pressure



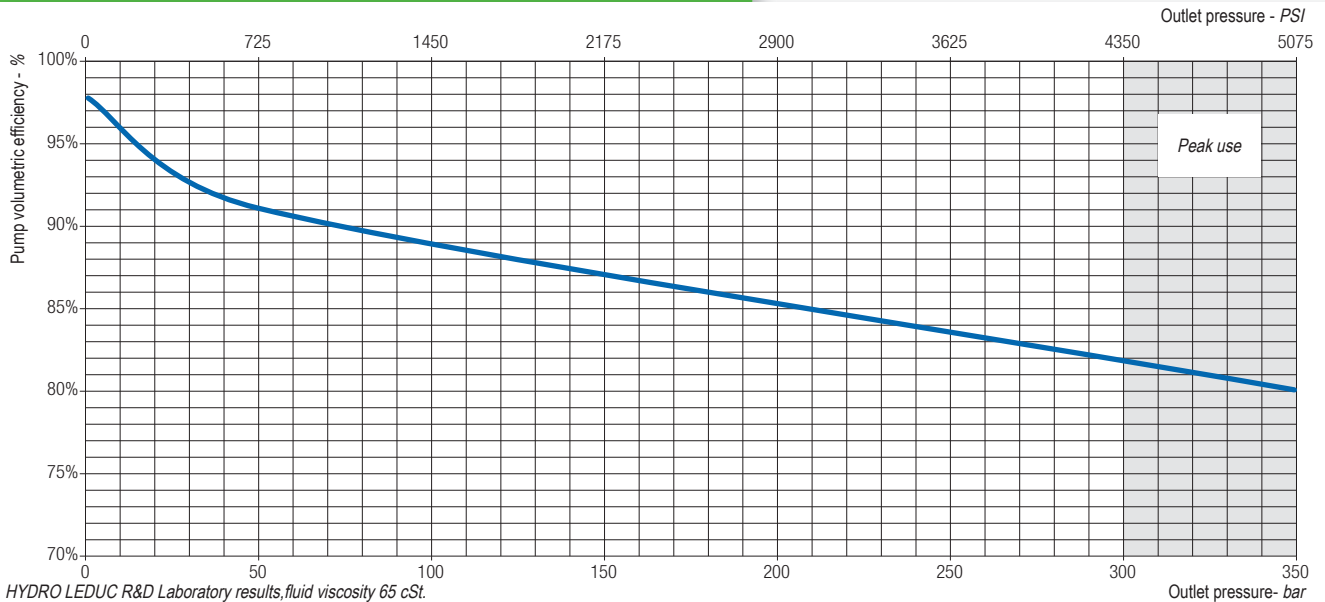
Theoretical values; calculation formula on page 1.

Flow as a function of rotating speed



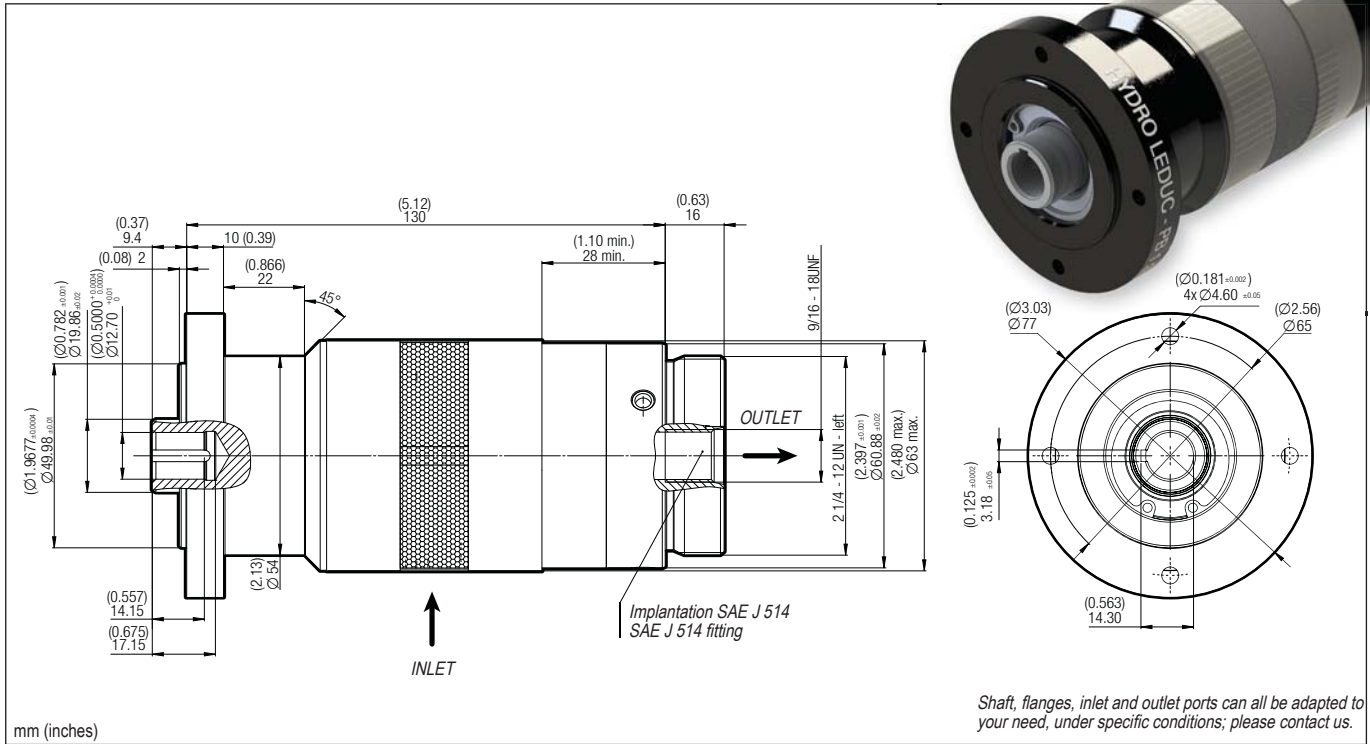
Theoretical values; calculation formula on page 1.

Volumetric efficiency as a function of outlet pressure



HYDRO LEDUC R&D Laboratory results, fluid viscosity 65 cSt.

Fixed displacement micropumps PB1.3 - PB1.75 - PB2.2



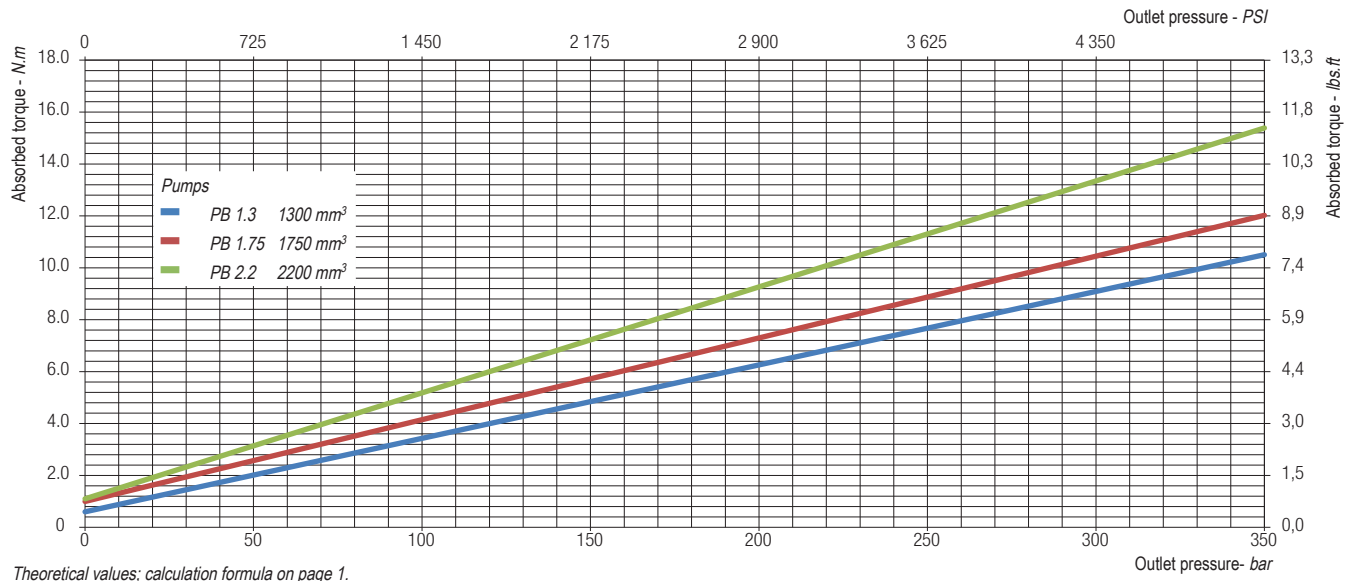
Characteristics

Type of pump		Displacement		Direction of rotation	Max. rotating speed continuous rpm	Max. pressure continuous	
		mm ³	Cu.in			bar	PSI
PB1.3	0515640	1300	0.0793	CCW	4000	350	5075
PB1.75	0526410	1750	0.1068	CCW	4000	350	5075
PB2.2	0515160	2200	0.1343	CCW	4000	350	5075

Technical characteristics

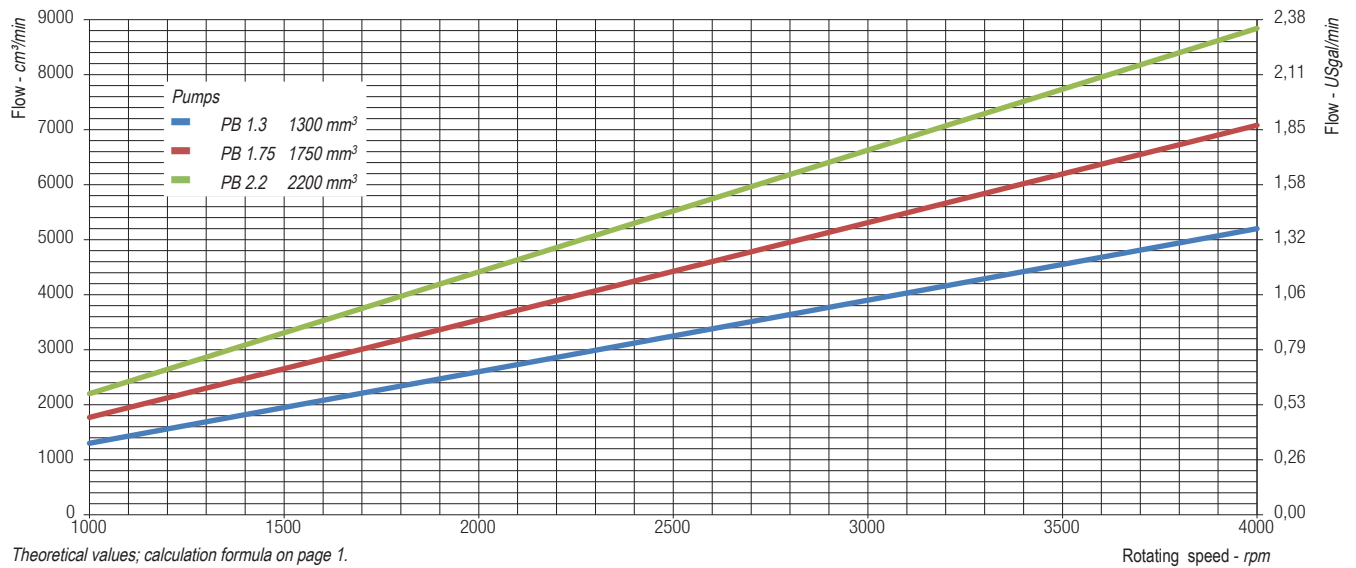
- Max. operating temperature: 200°C (392°F)
- Weight (standard pump): 2.2 kg (4.8 lbs)

Absorbed torque as a function of outlet pressure



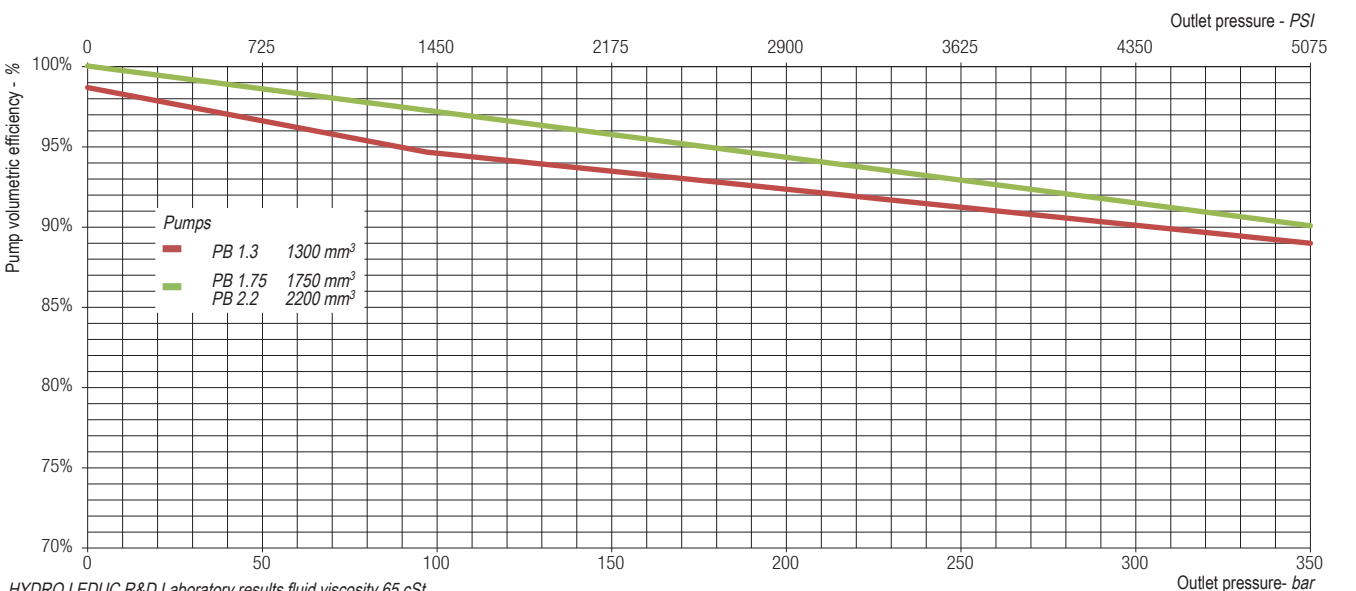
Theoretical values; calculation formula on page 1.

Flow as a function of rotating speed



Theoretical values; calculation formula on page 1.

Volumetric efficiency as a function of outlet pressure



HYDRO LEDUC R&D Laboratory results, fluid viscosity 65 cSt.