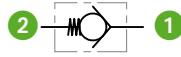


Microhydraulics accessories

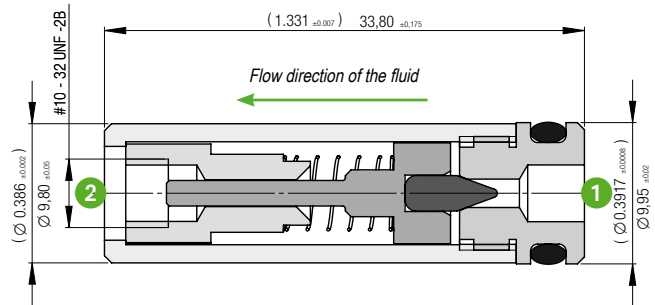
HYDRO LEDUC also offers a range of customized accessories adapted to your needs.

Check valve

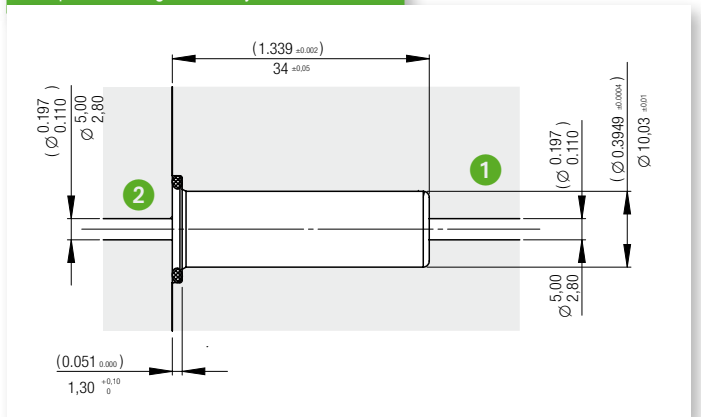


LEDUC code	0513690
Max. operating pressure	300 bar (4350 PSI)
Max. flow	2000 cm ³ /min (0.53 USgal/min)
Temperature range	-30°C to 200°C (-22°F to 392°F)

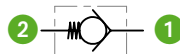
Viscosity	Q max		Reduced pressure drop ΔP	
	cm ³ /mn	USgal/min	bar	PSI
200 cSt	1550	0.41	3.80	55.1
	50	0.013	0.18	2.6
60 cSt	1550	0.41	1.00	14.5
	50	0.013	0.14	2.0
2 cSt	1550	0.41	0.35	5.0
	50	0.013	0.12	1.7



Example of cartridge assembly 0513690

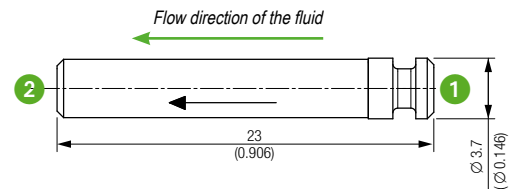


Miniature check valve

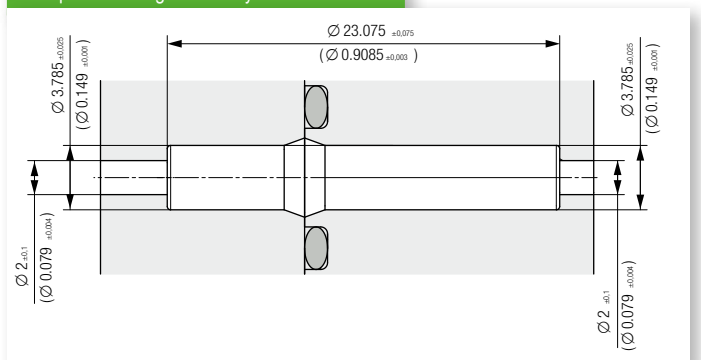


LEDUC code	0515080
Max. flow	1000 cm ³ /min (0.26 USgal/min)
Max. operating pressure	300 bar (4350 PSI)
Temperature range	-30°C to 200°C (-22°F to 392°F)

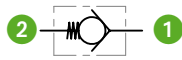
Viscosity	Q max		Δ P	
	cm ³ /mn	USgal/min	bar	PSI
200 cSt	800	0.21	45.6	661.3
	50	0.013	4.3	62.3
60 cSt	800	0.21	19.3	279.9
	50	0.013	0.5	7.2
2 cSt	800	0.21	4.6	66.7
	50	0.013	0.1	1.4



Example of cartridge assembly 0515080

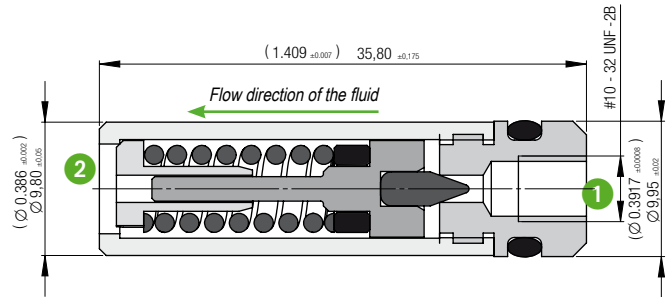


Microhydraulics accessories

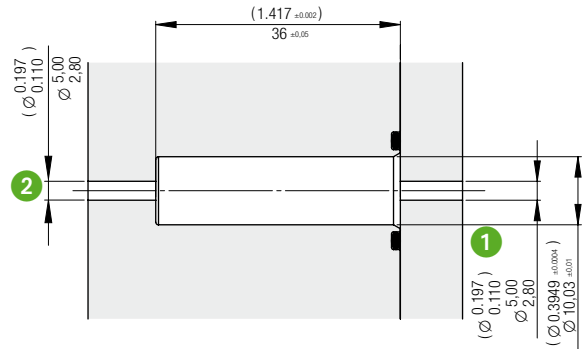


Relief valve maximum pressure 300 bar

LEDUC code	0513700
Max. flow	2000 cm ³ /min (0.53 USgal/min)
Opening pressure range	20 to 300 bar (290 to 4350 PSI)
Temperature range	- 30°C to 200°C (- 22°F to 392°F)



Example of 0513700 valves assembly



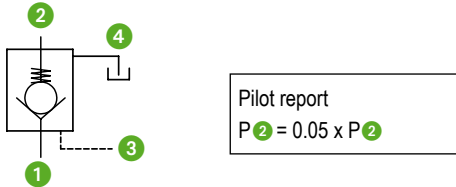


0513540 pilot valves

Design your solution using HYDRO LEDUC components.
The 0513540 pilot valve is designed to add pilot operation on the HYDRO LEDUC check and relief valves.

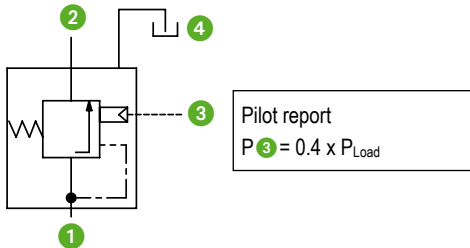
With 0513690 check valve

Pilot pressure from 3 to 120 bar max. (44 to 1740 PSI max.), depending on back pressure 2

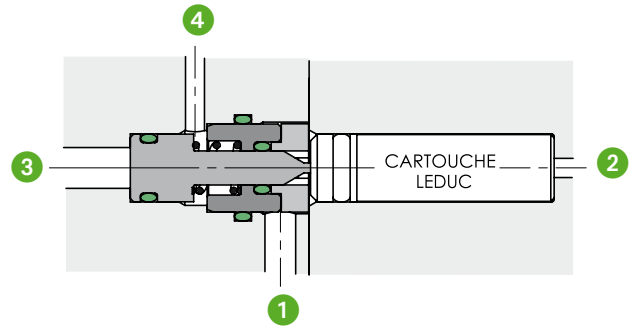


With relief valve ref. 0513700

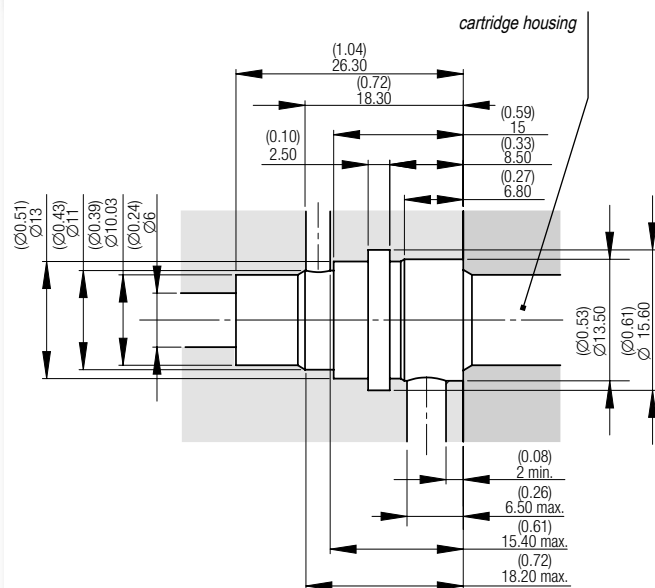
Pilot pressure from 1 to 15 bar max (10 to 210 PSI max.) as a function of relief valve opening pressure.



0513540 cartridge installation



Exemple of 0515540 pilot cartridge



Complete functions

HYDRO LEDUC offers, on request, complete solutions to design and manufacture hydraulic power-packs incorporating pump, electric motor, valving, tank, relief valve, actuators etc., all to fit within your particular space envelope.

The hydraulic pump is at the heart of our know-how, but the R&D department also masters the technology of the surrounding components. This allows a wide choice of solutions, and custom-designed developments.

An efficient partnership with a highly skilled and experienced team will guarantee your requirements will be satisfied.

HYDRO LEDUC can integrate your solution by proposing the following services:

- Mechanical integration of YOUR components;
- Hydraulic integration (high and low pressure tubes, Purge and oil filling, fluid contamination control...);
- Electrical integration (wiring);
- Qualification and testing of the complete assembly by simulating your working conditions, in terms of temperature and ambient pressure.



Hydraulic power pack for oceanographic buoy

Pump-motor unit for oiltool

