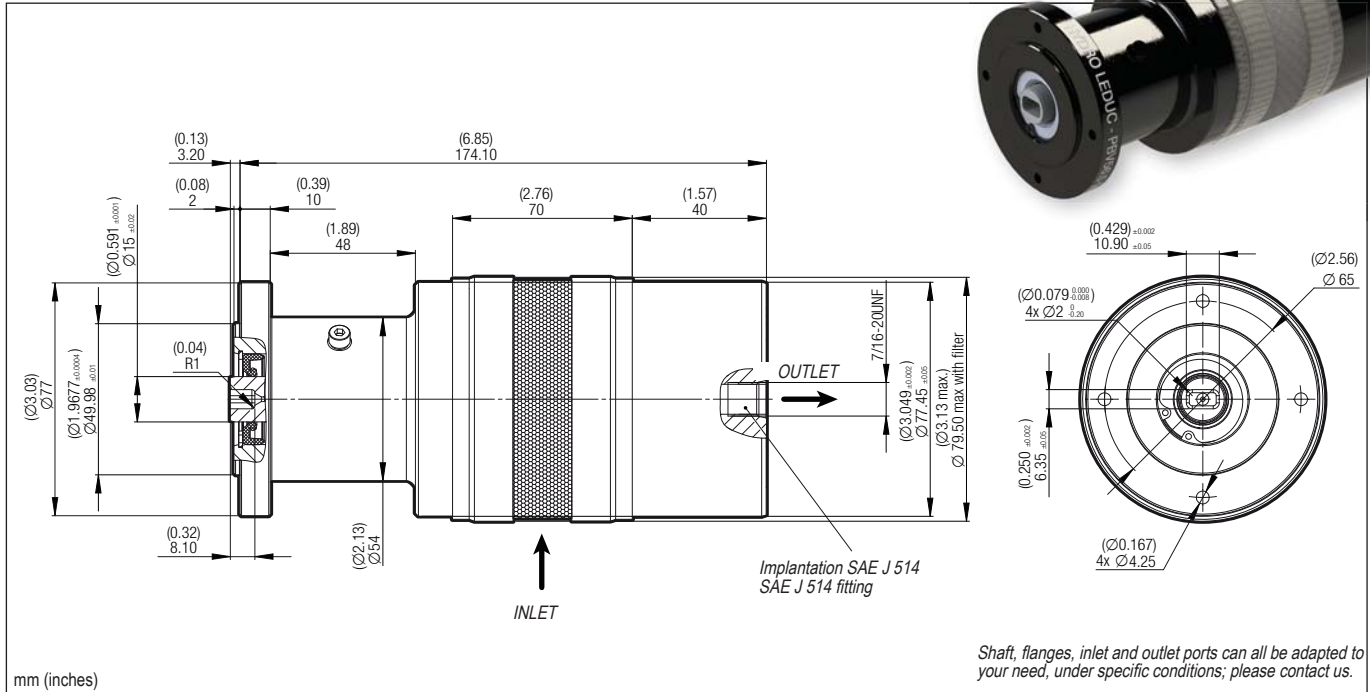


Variable displacement micropumps PBV56.5 - PBV57.5



ADJUSTABLE PUMPS (with factory set adjustment)

The displacement of PBV pumps is adjustable as a function of outlet pressure, in order to limit power consumption. When outlet pressure is low, the pump operates at maximum flow. When outlet pressure increases, pump displacement and flow gradually decrease (see graphs on page 12).

10

Characteristics

Type of pump	Inlet	Direction of rotation	Rotating speed (rpm)		Displacement mini		Displacement maxi		Absorbed power at nominal speed with regulation		Max. pressure				
			nominal	permissible continuous operating	mm ³	Cu.in	mm ³	Cu.in	W	HP	continuous	peak	continuous	peak	
											bar	PSI	bar	PSI	
PBV56.5	0520570	Radial	CW	3150	3500	300	0.0183	1100	0.0671	550	0.737	250	3625	350	5075
	058120	Rear	CW	3150	3500	300	0.0183	1100	0.0671	550	0.737	250	3625	350	5075
PBV57.5	0511740	Radial	CW	3500	3500	540	0.0330	1500	0.0915	1100	1.475	250	3625	350	5075

The minimum displacement and the maximum power consumption are factory set (see graphs) and cannot be modified by the user. Other settings are possible; please contact us.

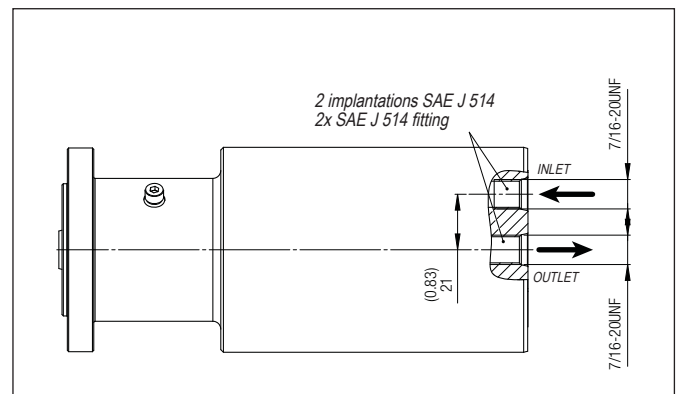
Technical characteristics

- Max. operating temperature: 200°C (392°F)
- Weight (standard pump) 4.2 kg (9.3 lbs)

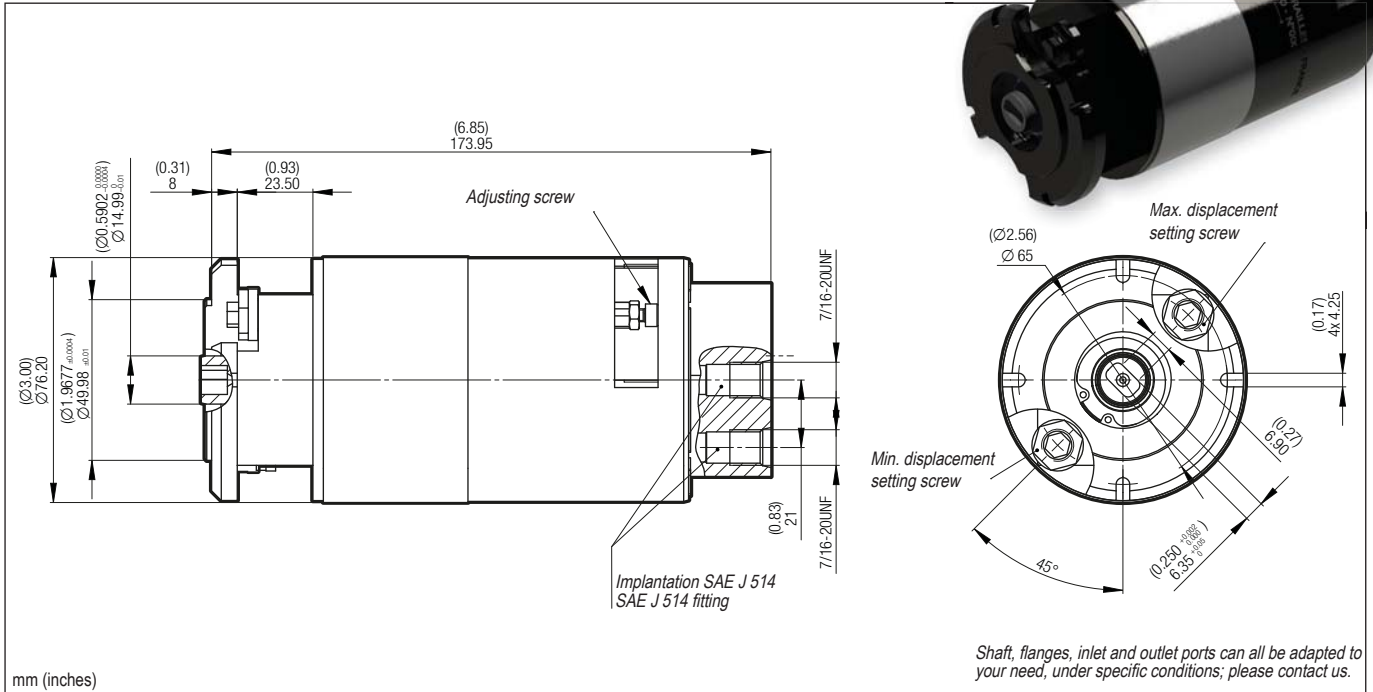
Graphs (see page 12)

- Power consumption
- Flow as a function of outlet pressure

Also available with rear inlet



Variable displacement micropumps PVE56.5 - PVE76.5



ADJUSTABLE PUMPS (with external adjustment screw)

PVE pumps offer the same possibilities as the PBV (adjustment of the displacement as a function of outlet pressure).

These pumps are fully adjustable by the user in terms of:

- max. displacement
- min. displacement
- pressure at which the flow regulation starts

Characteristics

Type of pump	Direction of rotation	Rotation speed (rpm)		Displacement setting				Max. pressure				
		nominal	maximal	MINI		MAXI		continuous		peak		
				mm ³	Cu.in	mm ³	Cu.in	bar	PSI	bar	PSI	
PVE56.5	0520380	CW	3150	3500	0 to 750	0 to 0.0458	400 to 1150	0.0244 to 0.0702	250	3625	350	5075
PVE76.5	0522800	CW	3150	3500	0 to 1050	0 to 0.0641	560 to 1610	0.0342 to 0.0982	250	3625	350	5075

Maximum absorbed power corresponds to the standard factory setting (see graphs).

Other settings are available, please contact us.

Technical characteristics

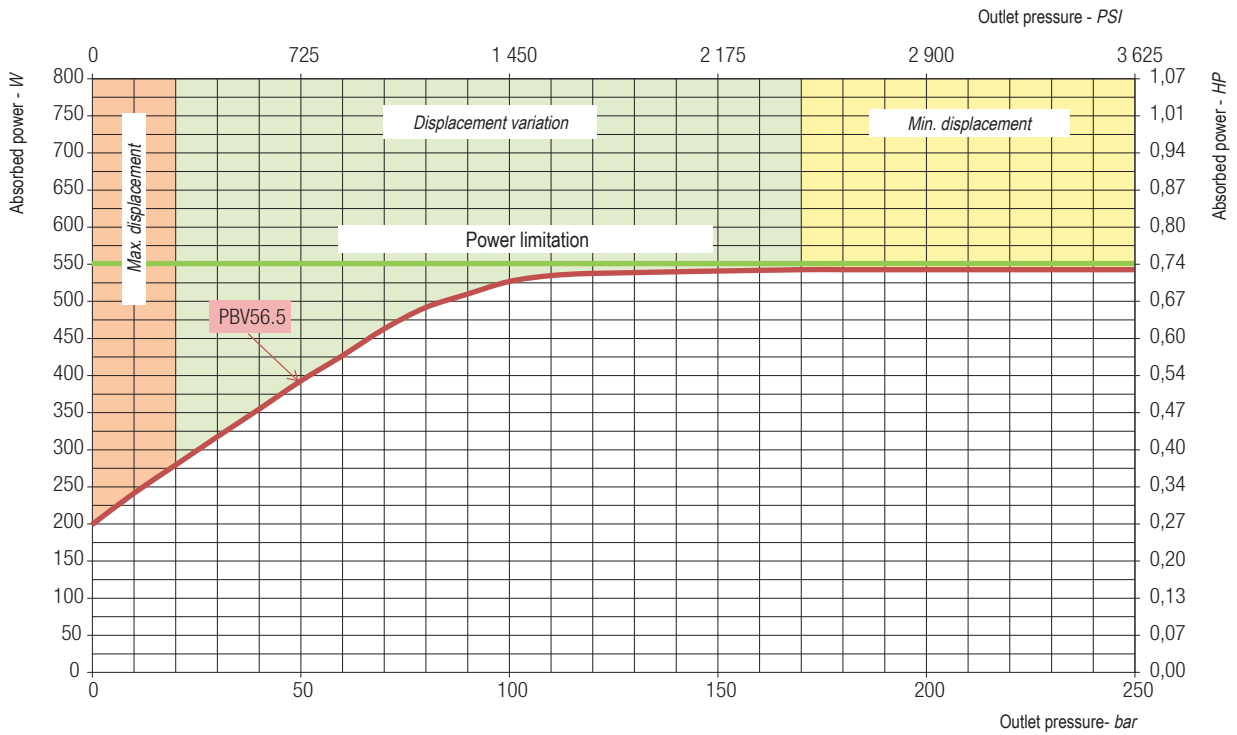
- Max. operating temperature: 200°C (392°F)
- Weight (standard pump) 4 kg (8.8 lbs)

Graphs (see page 12)

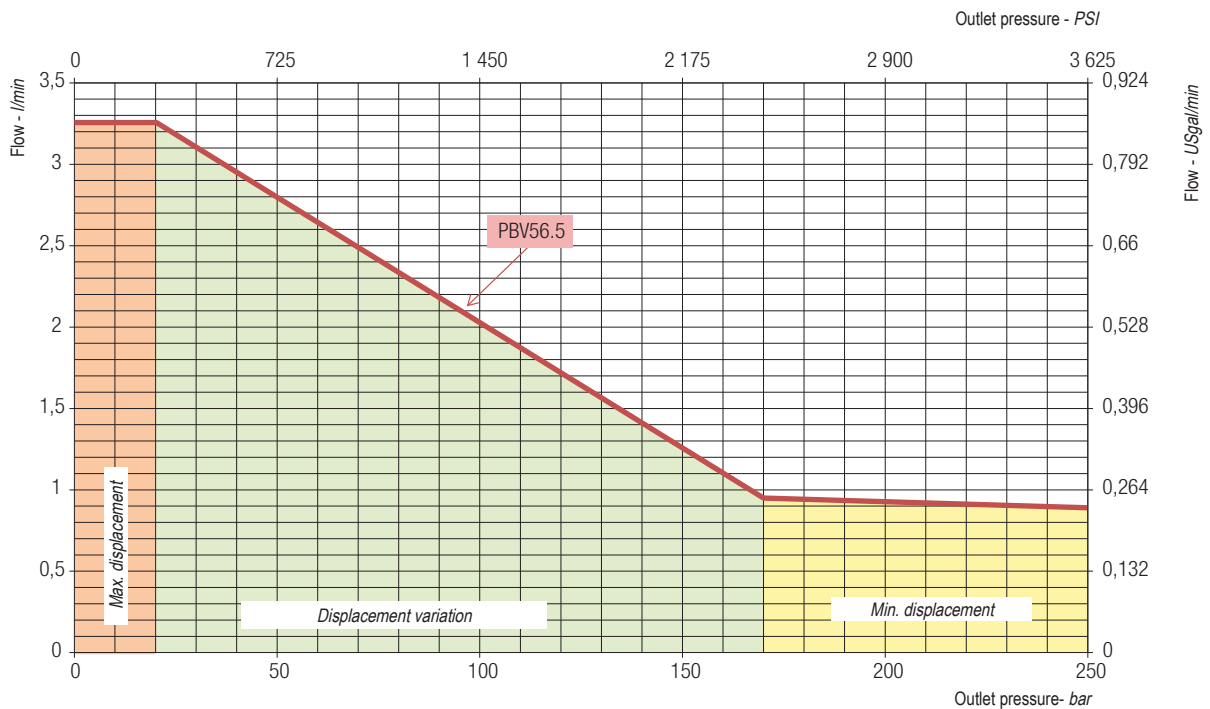
- Power consumption
- Flow as a function of output pressure

Example of setting, PBV56.5 pump.
For other settings, please contact us.

Power consumption at 3150 rpm



Flow as a function of outlet pressure at 3150 rpm



These graphs are the results of testwork done in the HL R&D laboratory, on a specific test bench.
Viscosity of the fluid: 65 cSt.