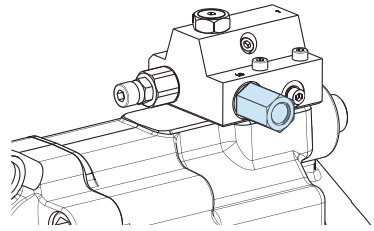


LS adapter with integrated filter | LEDUC CODE

Filter fitting for LS line connection

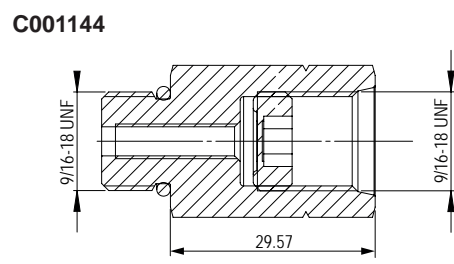
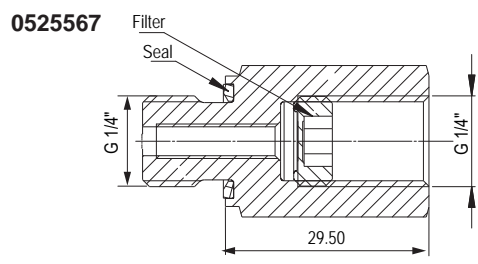
Kit reference	LS dimension	Type of pump
0525567	G1/4"	TXV
C001144	9/16-18 UNF	TXVA (SAE)



► Technical characteristics

- It protects the LS regulator against contamination coming from the circuit.
- Filter can be removed for maintenance.
- Filtration: 150 microns.

► Drawings for both versions of the kit (dimensions in mm):



SEAL + FILTER | LEDUC CODE 0526420

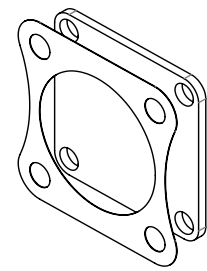
The LS filter protects the TXV's Load Sensing valve against contaminations coming from the hydraulic circuit.

Mounted as standard on all TXV pumps (except for Constant Torque).



KIT CLOSING PLATE + SEAL | LEDUC CODE P001512

FOR TXV 130 THROUGH SHAFT

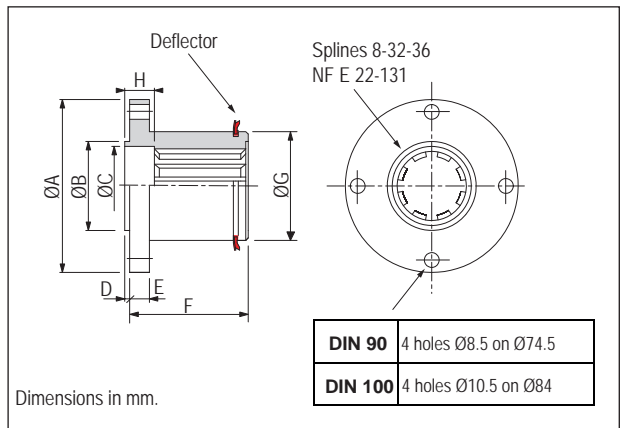


CARDAN PLATE - DIN 90 and DIN 100

The cardan plate enables the pump shaft to be connected to a cardan shaft with interface as on drawing on the right.

Note: the maximum admissible torque is limited by the drive shaft.

Type	LEDUC code	ØA	ØB	C	D	E	F	ØG	H
DIN 90	056315	90	47	43	2	10	62	55	15
DIN 100	0519040	100	57	43	2	10	64	55	15



A passion for hydraulics



HYDRO LEDUC SAS

Head Office and Factory
BP 9
F-54122 AZERAILLES
FRANCE
Tél. +33 (0)3 83 76 77 40
Fax +33 (0)3 83 75 21 58

HYDRO LEDUC GmbH

Am Ziegelplatz 20
D-77746 SCHUTTERWALD
DEUTSCHLAND
Tel. +49 (0) 781-9482590
Fax + 49 (0) 781-9482592

HYDRO LEDUC AB

Betongvägen 11
461 38 TROLLHÄTTEN
SWEDEN
Tel. + 46 (0) 520 10 820

HYDRO LEDUC BV

Ericssonstraat 2
5121 ML RIJEN
THE NETHERLANDS
Tel. +31 6 202 40 651

HYDRO LEDUC N.A. Inc.

Grand Parkway Industrial Park
23549 Clay Road
KATY, TX 77493
USA
Tel. +1 281 679 9654
Fax +1 832 321 3553



www.hydroleduc.com



HYDRO LEDUC
SAS au capital de 4 065 000 €
EORI FR31902742100019
RC Nancy B 319 027 421
contact@hydroleduc.com