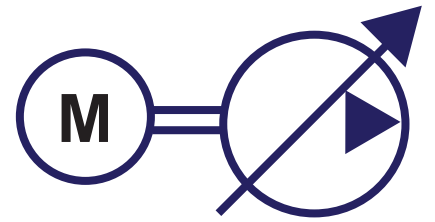


GEP573



5kW powerpack

The GEP573 is a unit comprising:

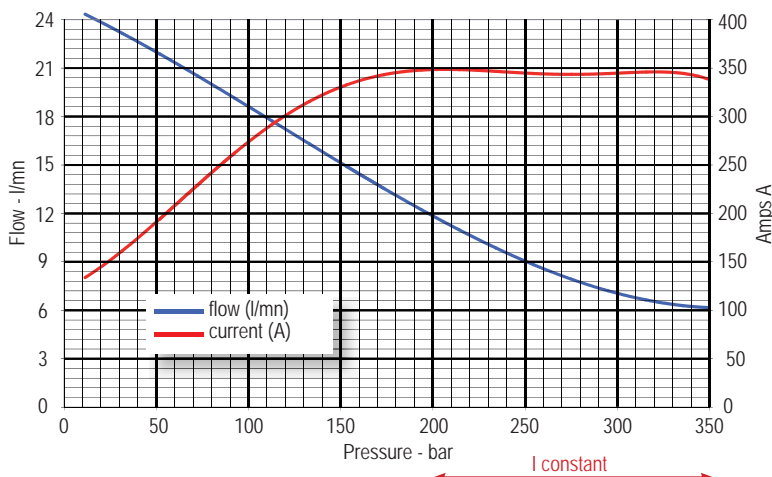
- a 5 kW electric motor; and
- a variable displacement piston pump with constant torque regulation.

The automatic variation in displacement of the hydraulic pump allows the GEP573 to supply high flow when it is used at low pressure and to reach high pressure by reducing pump output flow.

Its performs an unit using the optimized power of the electric motor. (see curves below). This pump is not self-priming, and the service time will be as a function of the duty cycle (for further information or advice, please contact our Customer Service Department).



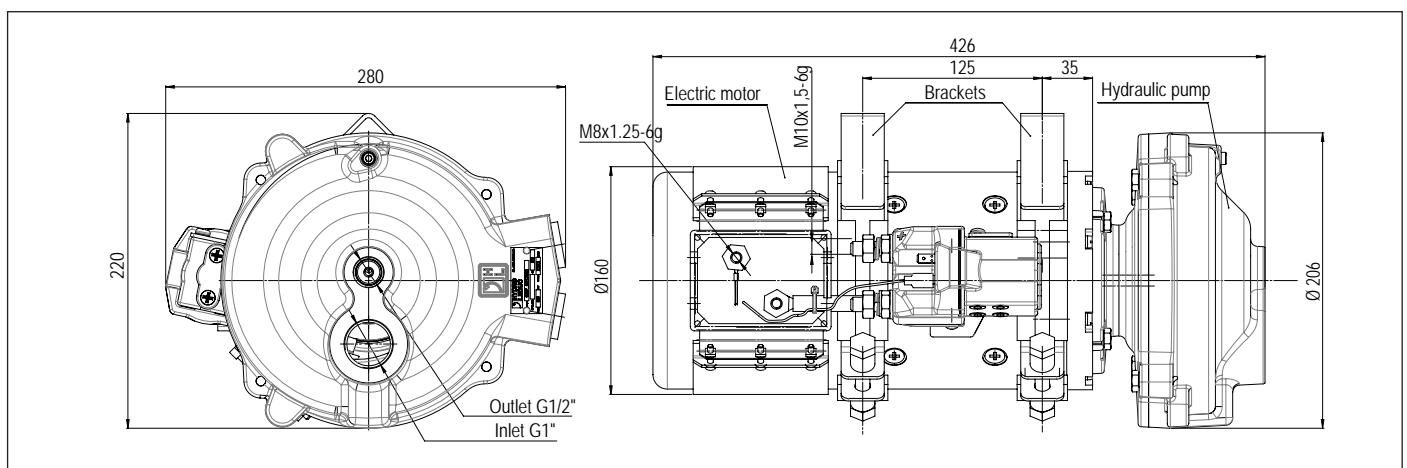
► Flow and current as a function of pressure



CHARACTERISTICS

- Displacement: 7.3 cc/rev
- Voltage: 24 Vdc
- Max. continuous power: 5000 W
- Max. peak power: 5500 W
- Weight: 37 kg
- Protection class of the electric motor: IP 54

► Dimensions (in mm)



A passion for hydraulics



HYDRO LEDUC SAS

Head Office and Factory
BP 9
F-54122 AZERAILLES
FRANCE
Tél. +33 (0)3 83 76 77 40
Fax +33 (0)3 83 75 21 58

HYDRO LEDUC GmbH

Am Ziegelplatz 20
D-77746 SCHUTTERWALD
DEUTSCHLAND
Tel. +49 (0) 781-9482590
Fax + 49 (0) 781-9482592

HYDRO LEDUC AB

Betongvägen 11
461 38 TROLLHÄTTEN
SWEDEN
Tel. + 46 (0) 520 10 820

HYDRO LEDUC BV

Ericssonstraat 2
5121 ML RIJEN
THE NETHERLANDS
Tel. +31 6 202 40 651

HYDRO LEDUC N.A. Inc.

Grand Parkway Industrial Park
23549 Clay Road
KATY, TX 77493
USA
Tel. +1 281 679 9654
Fax +1 832 321 3553



www.hydroleduc.com



HYDRO LEDUC
SAS au capital de 4 065 000 €
EORI FR31902742100019
RC Nancy B 319 027 421
contact@hydroleduc.com