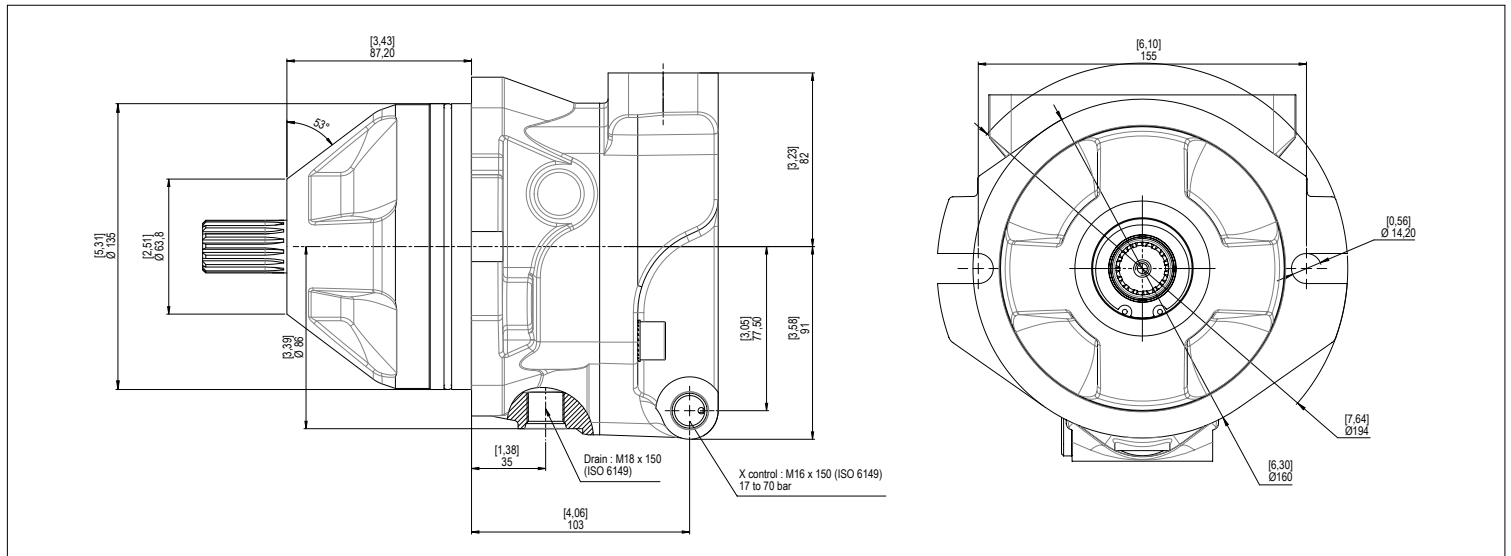


MSI2C45 & MSI2C49



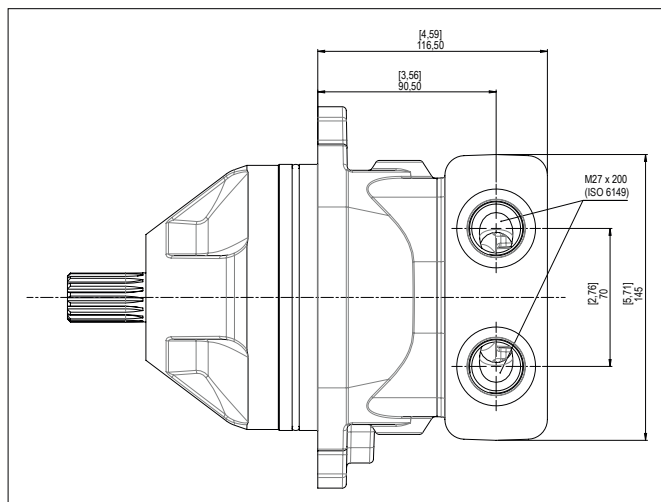
- ▶ "Two displacement" motors, of 49 cc/rev maximum
- ▶ 9 piston design, in line
- ▶ Displacement adjustment by hydraulic control
- ▶ Suitable for use in open or closed loop circuits
- ▶ Dual direction of rotation
- ▶ High starting torque
- ▶ Low noise level
- ▶ Long service life
- ▶ Displacement ratio up to 3
- ▶ Available as options : speed sensor and flushing valve

▶ Dimensions in mm [inches] :



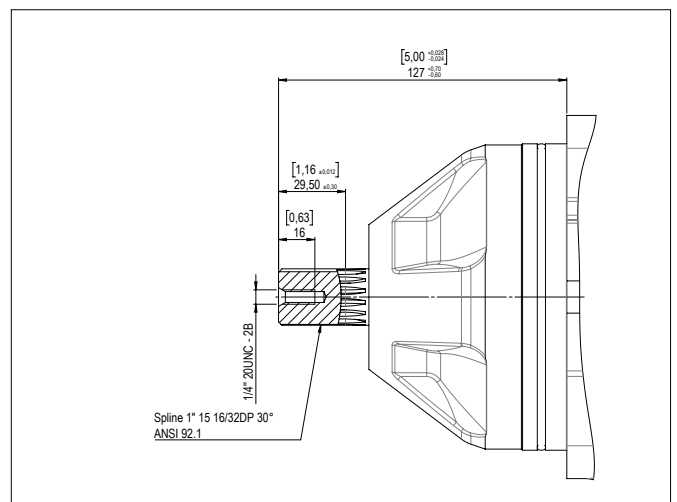
▶ Standard inlet ports* :

Flanges
M27x200



▶ Shaft available :

Spined shaft 1"
SAE J498b 15T 16/32DP



*Other ports are available on request; please consult us.

Dimensions in mm [inches] are given only as an indication.

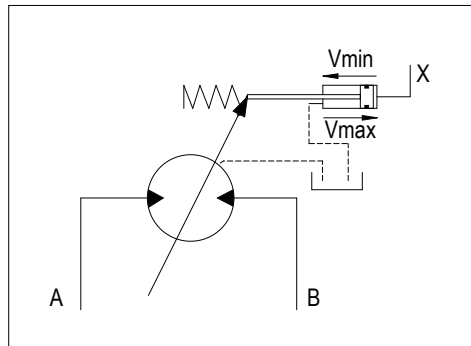
► **Technical characteristics :**

Motor	Displacement		Max. continuous speed (1)	Intermittent max. speed (1)	Max. absorbed flow	Torque	Torque at 300 bar [4350 psi]	Theoretical max. power at 350 bar [5076 psi]	Max. allowable pressure continuous / peak	Weight
	cc [cu.in]	rpm								
MSI2C45	Max.	45 [2.75]	3500	4300	158 [41.7]	0.72 [0.036]	216 [159]	92 [123.3]	350 / 400 [5076 / 5800]	17.3 [38.2]
	Min.	17 [1.04]	4000	4500	68 [17.96]	0.27 [0.014]	81 [59.8]	39.5 [53]	350 / 400 [5076 / 5800]	17.3 [38.2]
MSI2C49	Max.	49 [2.99]	3500	4300	172 [45.44]	0.78 [0.039]	234 [172.6]	100 [134.1]	350 / 400 [5076 / 5800]	17.3 [38.2]
	Min.	22 [1.34]	4000	4500	88 [23.25]	0.35 [0.018]	105 [77.44]	51 [68.4]	350 / 400 [5076 / 5800]	17.3 [38.2]

(1) For higher speeds, please contact us.

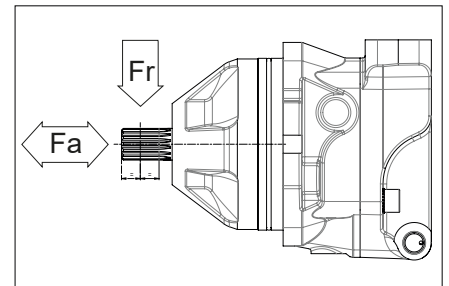
► **Displacement control :**

Displacement adjustment by hydraulic control



► **Acceptable forces applied to motor shaft :**

Motor		45	49
Fr	N	1050	1050
	lbf	236	236
Fa	N	2500	2500
	lbf	562	562



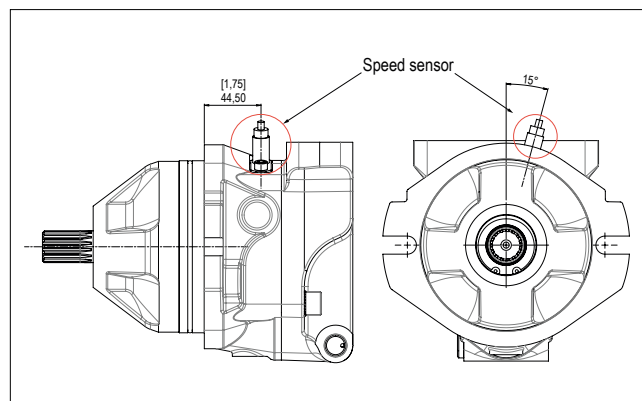
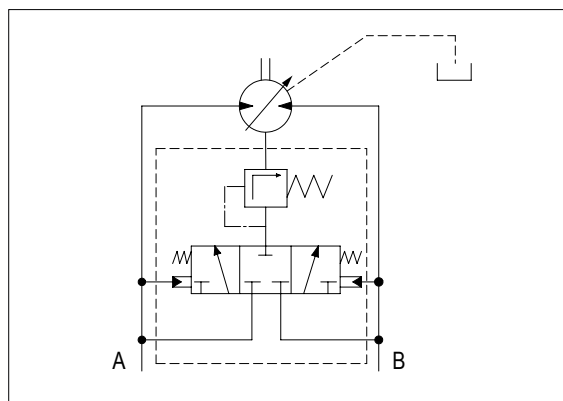
Fr : radial force measured at mid point of length of shaft.

Fa : axial force.

For other forces, please contact us.

► **Options on request :**

- Flushing valve (different flow levels available, please contact us).
- Speed sensor



Dimensions in mm [inches] are given only as an indication.

For further information, please contact Customer Service.
Hervé COLIN - tel : +33(0)3 83 76 05 37 - hcolin@hydroleduc.com

 www.hydroleduc.com

HYDRO LEDUC SAS
Siège social & Usine
Head Office and Factory
BP 9
F-54122 AZERAILLES
FRANCE
Tel. +33 (0)3 83 76 77 40
Fax +33 (0)3 83 75 21 58

HYDRO LEDUC GmbH
Am Ziegelplatz 20
D-77746 SCHUTTERWALD
DEUTSCHLAND
Tel. +49 (0) 781-9482590
Fax + 49 (0) 781-9482592

HYDRO LEDUC AB
Betongvägen 11
461 38 TROLLHÄTTAN
SWEDEN
Tel. + 46 (0) 520 10 820

HYDRO LEDUC BV
Ericssonstraat 2
5121 ML Rijen
The Netherlands
Tel. +31 6 202 40 651

HYDRO LEDUC N.A. Inc.
Grand Parkway Industrial Park
23549 Clay Road
KATY, TX 77493
USA
Tel. +1 281 679 9654