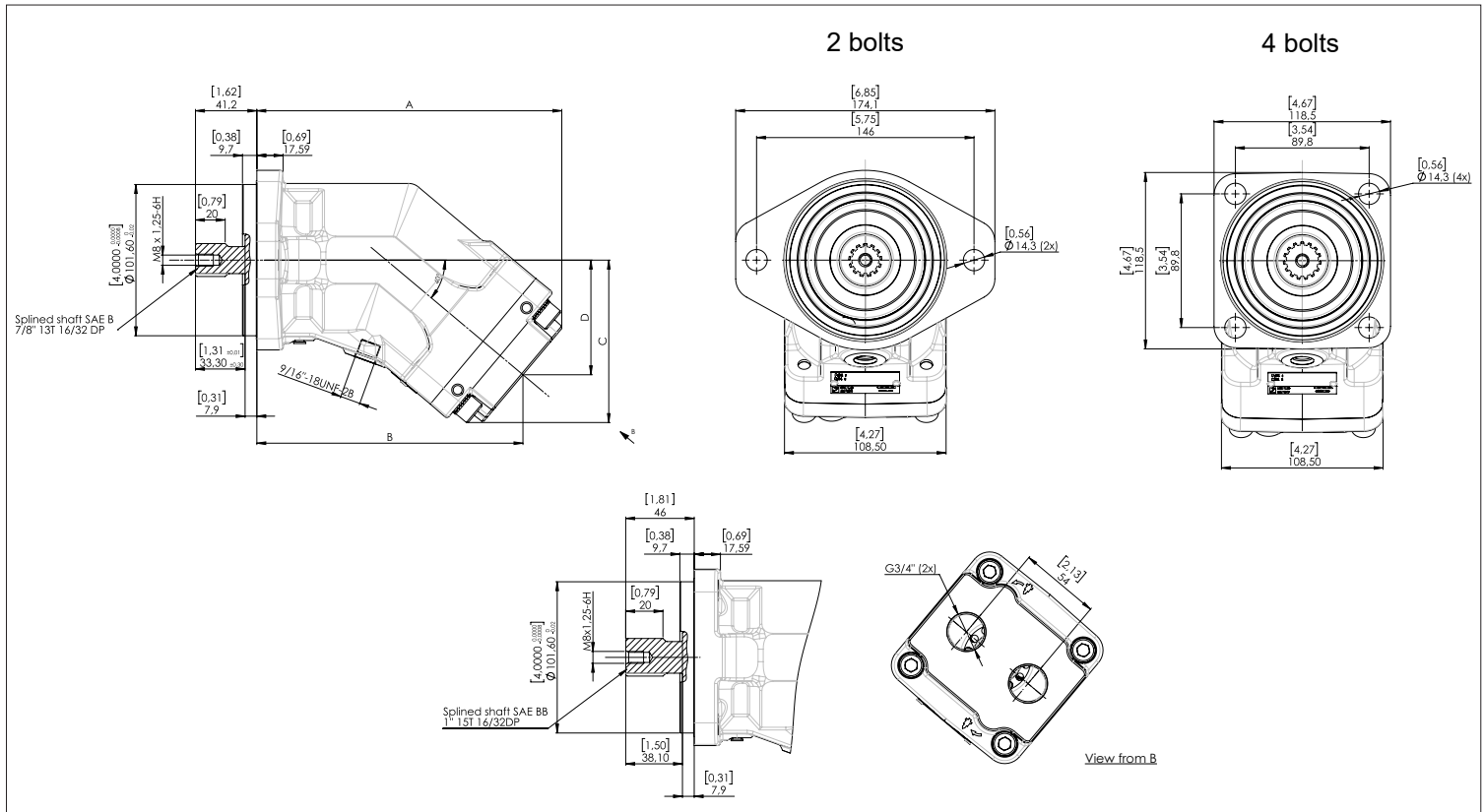


- ▶ Displacement 25 to 63 cc/rev
- ▶ 7 piston design
- ▶ Suitable for use in open or closed loop circuits
- ▶ Pressure up to 400 bar
- ▶ High global efficiency
- ▶ Dual direction of rotation
- ▶ Compact size
- ▶ High weight-power ratio
- ▶ Low noise level
- ▶ FKM seal as standard

▶ **Dimensions in mm [inches] :**



▶ **SAE B - 2 bolts (SAE J744) :**

Motor	A	B	C	D	Shaft
MXA 25	[7.76] 197.2	[6.79] 172.5	[4.08] 103.7	[2.87] 73	SAE B 7/8"13T-16/32DP
MXA 32	[8] 203.2	[7.03] 178.5	[4.28] 108.7	[3.03] 77	SAE B 7/8"13T-16/32DP
MXA 41	[8] 203.2	[7.03] 178.5	[4.28] 108.7	[3.03] 77	SAE B 7/8"13T-16/32DP

▶ **SAE B - 4 bolts (SAE J744) :**

Motor	A	B	C	D	Shaft
MXA 50	[8.45] 214.7	[7.48] 190	[4.65] 118.2	[3.4] 86.5	SAE BB 1" 15T-16/32DP
MXA 63	[8.45] 214.7	[7.48] 190	[4.65] 118.2	[3.4] 86.5	SAE BB 1" 15T-16/32DP

► **Technical characteristics :**

2 bolts - SAE J744

Designation	Displacement	Continuous max. pressure	Max. peak pressure	Continuous max. speed	Intermittent max. speed	Max. flow absorbed	Torque	Torque at 5075 PSI (350 bar)	Weight
	cc [cu.in]	bar [psi]	bar [psi]	rpm	rpm	l/min	N.m/bar [lbf.ft/psi]	N.m [lbf.ft]	Kg [lbs]
MXA25_M002000	25 [1.52]	350 [5075]	400 [5800]	6300	6900	158	0.40 [0.0201]	139 [102]	9.9 [21.8]
MXA32_M001980	32 [1.96]	350 [5075]	400 [5800]	6300	6900	202	0.51 [0.0259]	179 [132]	10.8 [23.8]
MXA41_M001985	41 [2.51]	350 [5075]	400 [5800]	5600	6200	230	0.65 [0.0331]	229 [169]	10.8 [23.8]

4 bolts - SAE J744

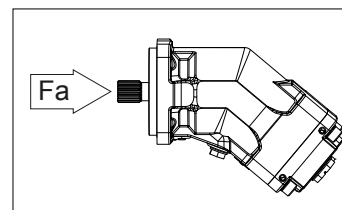
Designation	Displacement	Continuous max. pressure	Max. peak pressure	Continuous max. speed	Intermittent max. speed	Max. flow absorbed	Torque	Torque at 5075 PSI (350 bar)	Weight
	cc [cu.in]	bar [psi]	bar [psi]	rpm	rpm	l/min	N.m/bar [lbf.ft/psi]	N.m [lbf.ft]	Kg [lbs]
MXA50_M001990	50.3 [3.07]	350 [5075]	400 [5800]	5000	5500	252	0.80 [0.0405]	280 [207]	12.2 [26.9]
MXA63_M001995	63 [3.84]	350 [5075]	400 [5800]	5000	5500	315	1.00 [0.0508]	351 [259]	12.2 [26.9]

► **Acceptable forces applied to motor shaft :**

Motor	MXA 25	MXA 32	MXA 41	MXA 50	MXA 63
Fa (N/bar)*	30	30	40	40	50

Fa : axial force.

For other forces, please contact us.



Dimensions in mm [inches] are given only as an indication.

For further information, please contact Customer Service (+33(0)3 83 76 77 40).



www.hydroleduc.com

HYDRO LEDUC SAS
Siège social & Usine
Head Office and Factory
BP 9
F-54122 AZERAILLES
FRANCE
Tel. +33 (0)3 83 76 77 40
Fax +33 (0)3 83 75 21 58

HYDRO LEDUC GmbH
Am Ziegelplatz 20
D-77746 SCHUTTERWALD
DEUTSCHLAND
Tel. +49 (0) 781-9482590
Fax + 49 (0) 781-9482592

HYDRO LEDUC AB
Betongvägen 11
461 38 TROLLHÄTTAN
SWEDEN
Tel. + 46 (0) 520 10 820

HYDRO LEDUC BV
Ericssonstraat 2
5121 ML Rijen
The Netherlands
Tel. +31 6 202 40 651

HYDRO LEDUC N.A. Inc.
Grand Parkway Industrial Park
23549 Clay Road
KATY, TX 77493
USA
Tel. +1 281 679 9654