

WA series
12 to 180 cc



The W/WA pumps were developed to satisfy the needs of both the industrial hydraulics market :
Hydraulic power packs, units for machine tools etc.; and of the mobile market: construction equipment, drilling machines, mobile cranes etc...

The WA series (SAE version) are an addition to the W pumps range (ISO version) which exist in models from 5 to 125 cc.

► Advantages

- High speed (from 150 up to 3000 tr/min depending on the displacement)
- Maximum pressure up to 5800 psi (400 bar) continuous - 6525 psi (450 bar) peak - while maintaining a high global efficiency at low noise level
- Self-priming and self-suction pumps
- Range of displacements of 0.73 to 11.02 cu.in (12 to 180 cc)
- FKM seals as standard (NBR on request)

► Characteristics and performances

| Pump model | Displacement | continuous rotation speed (1) | Max. pressure continuous/peak (2) | Theoretical torque at 5100 psi (350 bar) | Max. flow | Weight |
|------------|--------------------------|-------------------------------|-----------------------------------|--|---------------|------------|
| | cu.in (cm ³) | (rpm) | psi (bar) | lbf ft (m.N) | gpm (l/min) | lbs (Kg) |
| WA12 | 0.73 (12) | 3150 | 5800 / 6525 (400 / 450) | 42 (67) | 10 (37.80) | 14.3 (6.5) |
| WA18 | 1.10 (18) | 3150 | 5800 / 6525 (400 / 450) | 74 (100) | 15 (56.70) | 14.3 (6.5) |
| WA25 | 1.52 (24.9) | 2500 | 5800 / 6525 (400 / 450) | 102 (139) | 16.44 (62.25) | 25 (11.5) |
| WA32 | 1.96 (32.1) | 2500 | 5800 / 6525 (400 / 450) | 132 (179) | 21.20 (80.25) | 25 (11.5) |
| WA41 | 2.51 (41.1) | 2250 | 5800 / 6525 (400 / 450) | 169 (229) | 24.41 (92.40) | 25 (11.5) |
| WA45 | 2.77 (45.4) | 2300 | 5800 / 6525 (400 / 450) | 187 (253) | 27.60 (104.4) | 40 (18) |
| WA50 | 3.07 (50.3) | 2300 | 5800 / 6525 (400 / 450) | 207 (280) | 30.60 (115.7) | 40 (18) |
| WA63 | 3.74 (63) | 2250 | 5800 / 6525 (400 / 450) | 259 (351) | 30.56 (145) | 40 (18) |
| WA80 | 4.91 (80.4) | 2300 | 5800 / 6525 (400 / 450) | 330 (448) | 48.87 (185) | 51 (23) |
| WA90 | 5.49 (90) | 2100 | 5800 / 6525 (400 / 450) | 370 (501) | 49.93 (189) | 51 (23) |
| WA108 R | 6.61 (108.3) | 2150 | 5800 / 6525 (400 / 450) | 445 (603) | 61.55 (233) | 77 (35) |
| WA125 | 7.65 (125.4) | 2100 | 5800 / 6525 (400 / 450) | 515 (699) | 69.78 (263) | 77 (35) |
| WA160 | 9.76 (160) | 1850 | 5800 / 6525 (400 / 450) | 657 (891) | 78.20 (296) | 103.6 (47) |
| WA180 | 11.02 (180.6) | 1750 | 5800 / 6525 (400 / 450) | 742 (1006) | 83.78 (316) | 103.6 (47) |

(1) At absolute pressure 14.5 psi (1 bar), ISO V646 fluid at 77°F (25°C).

(2) Intermittent 5%.

► Order code system

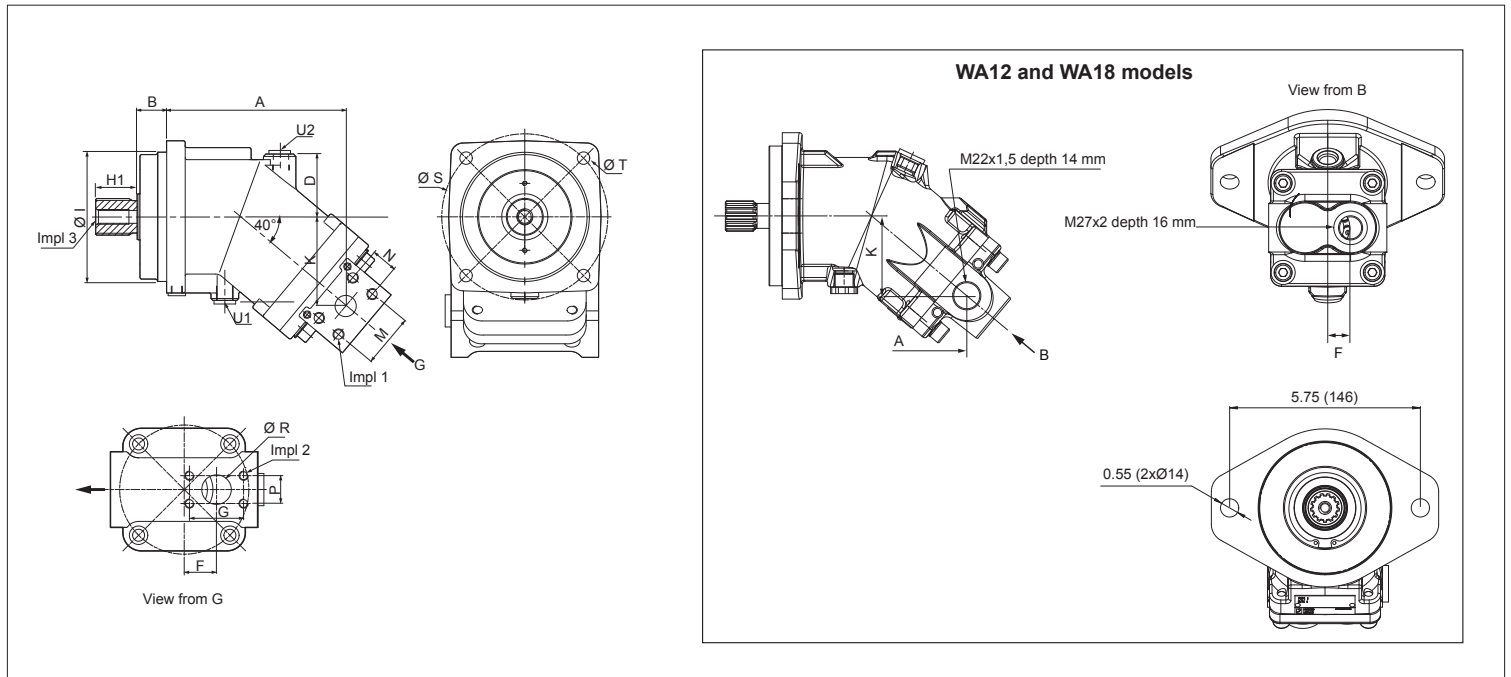
| WA | ... | C | S1 | R | U2 | .. | F |
|----|-----|----|----|----|----|----|----|
| 01 | 02 | 03 | 04 | 05 | 06 | 07 | 08 |

To obtain the code for your motor, complete the different parameters 02 and 07 according to the options you require.

SH / CW : for clockwise
SIH / CCW : for counterclockwise

Choice of the displacement :
12 - 18 - 25 - 32 - 41 - 45 - 50 - 63 - 80 - 90 - 108R - 125 - 160 - 180.

► Dimensions in inches (mm)



| Pump | A | B | D | F | G | I | K | M | N | P | R | S | T |
|------------------|---------------|------------|-------------|-------------|-------------|-----------|--------------|-------------|-------------|-------------|-------------|--------------------|-------------|
| WA12 WA18 | 5.28 (134.1) | 0.31 (7.9) | 1.65 (41.9) | 0.67 (17) | - | 4 (101.6) | 2.28 (58) | - | - | - | - | SAE - B 2 bolts | 0.55 (14) |
| WA25 | 6.21 (157.8) | | 2.20 (56) | 0.87 (22) | 1.87 (47.6) | 5 (127) | 2.67 (66) | 1.59 (40.5) | 0.72 (18.2) | 0.87 (22.2) | 0.75 (19) | 6.38 (162) | 0.57 (14.3) |
| WA32 WA41 | 6.46 (164) | | 2.32 (59) | 1.18 (30) | 2.07 (52.5) | | 2.80 (71) | | | | | | |
| WA45 to WA63 | 7.45 (189.2) | | | | | | 2.68 (68) | 1.38 (35) | 2.31 (58.7) | 3.82 (97) | 2.25 (57.2) | | |
| WA80 WA90 | 8.47 (215.2) | | 2.36 (60) | 1.95 (49.5) | 3.06 (77.8) | 6 (152.4) | 3.97 (100.8) | 2.63 (66.7) | 1.25 (31.8) | 1.41 (35.7) | 1.50 (38) | 9 (228.6) | 0.83 (21) |
| WA108 R WA125 | 9.25 (235) | | 2.68 (68) | | | | 4.16 (105.7) | | | | | | |
| WA160 WA180 | 10.54 (267.7) | | | | | | | | | | | | |

| Pump | Splined shaft | H1 | Outlet 6000 PSI | Inlet 3000 PSI | Impl 1 | Impl 2 | Impl 3 | U1 / U2 |
|--------------------------------------|-----------------------|-------------|--------------------|-------------------|-------------------|-----------------|--------------|--------------|
| WA12 WA18 | 13T-16/32 dp SAE B | 1.32 (33.3) | M22x1.5 | M27x2 | - | - | 5/16"-18 UNC | 9/16"-18 UNF |
| WA25 WA32 WA41 | | | SAE 1/2" | SAE 3/4" | M8x1.25 depth 15 | M10x1.5 prof 17 | | |
| WA45 WA50 WA63 WA80 WA90 | | 1.89 (48) | SAE 3/4" | SAE 1" | M10x1.5 depth 17 | | 7/16"-14 UNC | 3/4"-16 UNF |
| | | | SAE 1" | SAE 1 1/4" | M12x1.75 depth 20 | | | |
| WA108 R WA125 WA160 WA180 | 13T-8/16 dp SAE D | 2.64 (67) | SAE 1 1/4" | SAE 2" | 1/2"-13 UNC | 1/2"-13 UNC | 5/8"-11 UNC | 7/8"-14UNF |

For further information, please to contact our Technical Department.

Hervé COLIN - Tel. +33(0)3 83 76 05 37 - hcolin@hydroleduc.com



www.hydroleduc.com



HYDRO LEDUC SAS
Siège social & Usine
Head Office and Factory
BP 9
F-54122 AZERAILLES
FRANCE
Tel. +33 (0)3 83 76 77 40
Fax +33 (0)3 83 75 21 58

HYDRO LEDUC GmbH
Haselwanderstr. 5
D-77746 SCHUTTERWALD
DEUTSCHLAND
Tel. +49 (0) 781-9482590
Fax + 49 (0) 781-9482592

HYDRO LEDUC AB
Betongvägen 11
461 38 TROLLHÄTTEN
SWEDEN
Tel. + 46 (0) 520 10 820

HYDRO LEDUC BV
Ericssonstraat 2
5121 ML Rijen
The Netherlands
Tel. +31 6 202 40 651

HYDRO LEDUC N.A. Inc.
19416 Park Row - Suite 170
HOUSTON, TEXAS 77084
USA
Tel. +1 281 679 9654
Fax +1 832 321 3553