

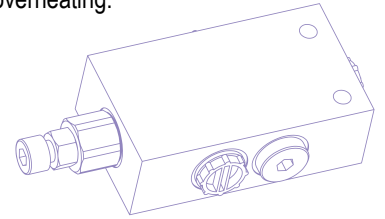
Accessories for TXV pumps

FCV - FLUID VALVE CIRCULATION | LEDUC CODE: 0524940

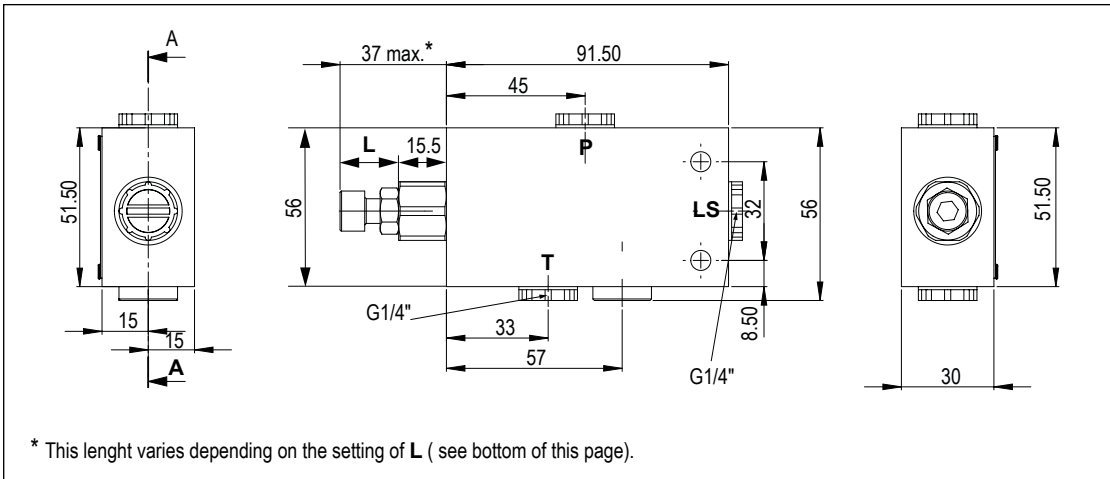
The fluid circulation (FCV) is designed for applications where the hydraulic variable displacement pump is used in standby mode for a long period of time, for example engine PTO, to protect the pump against overheating.

► Technical characteristics

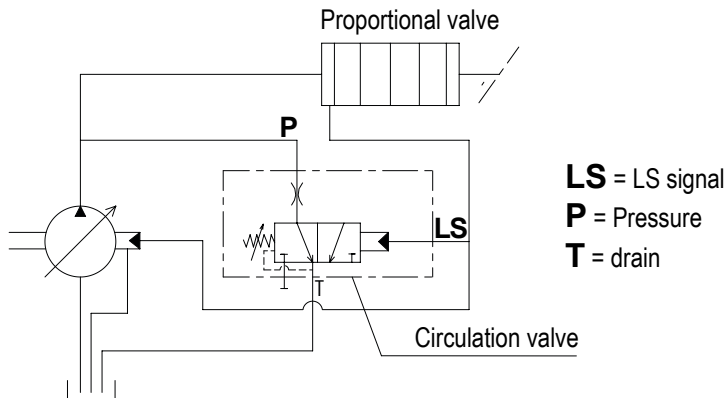
- The valve flow varies between 20 and 22 l/min for a ΔP at 30 bar.
- Maximum pressure is 420 bar.
- The closing pressure is 2 bar min. and 7 bar max.



► Dimensions



► Schematics



► Setting of the control pressure:

