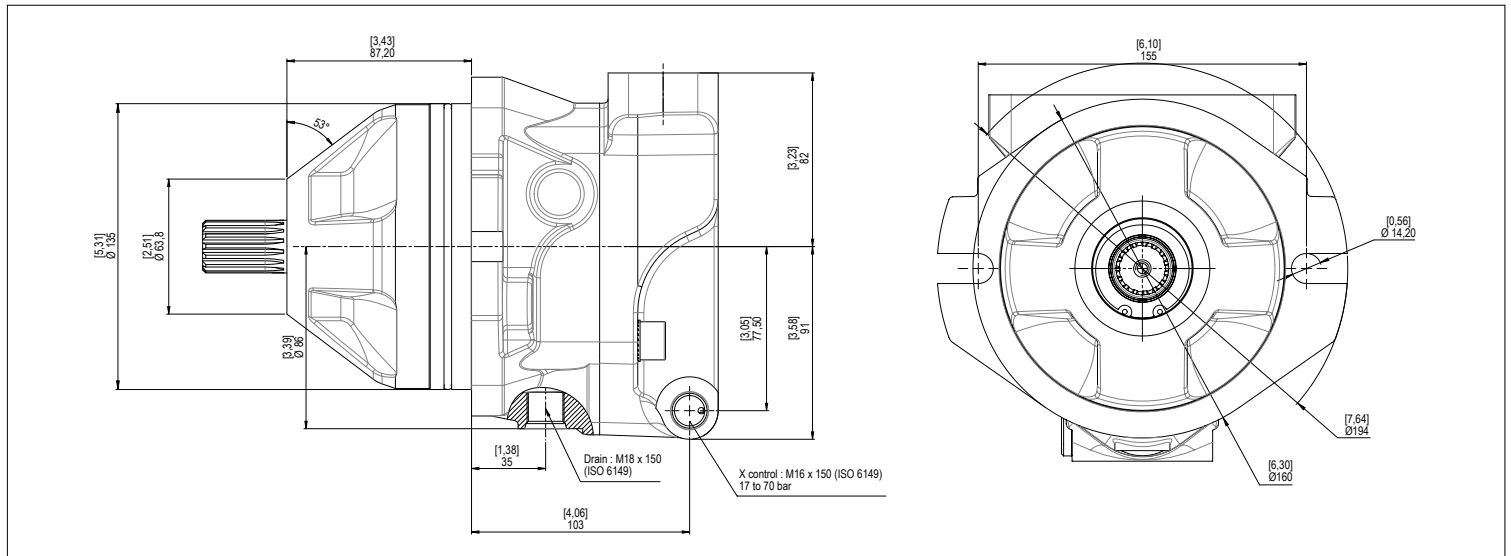


## MSI2C45 & MSI2C49



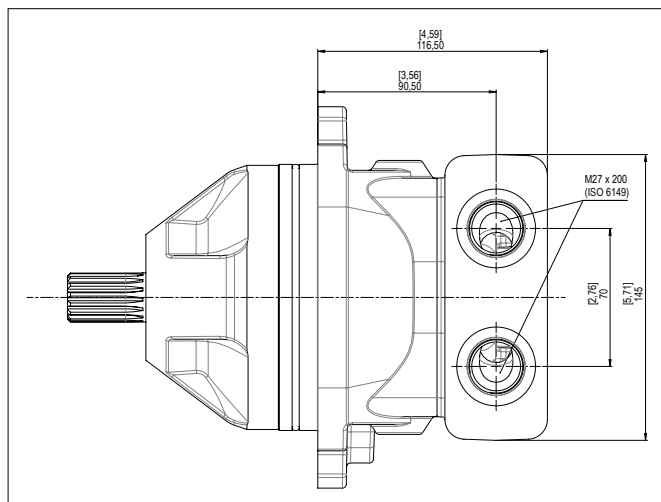
- ▶ "Two displacement" motors, of 49 cc/rev maximum
- ▶ 9 piston design, in line
- ▶ Displacement adjustment by hydraulic control
- ▶ Suitable for use in open or closed loop circuits
- ▶ Dual direction of rotation
- ▶ High starting torque
- ▶ Low noise level
- ▶ Long service life
- ▶ Displacement ratio up to 3
- ▶ Available as options : speed sensor and flushing valve

### ▶ Dimensions in mm [inches] :



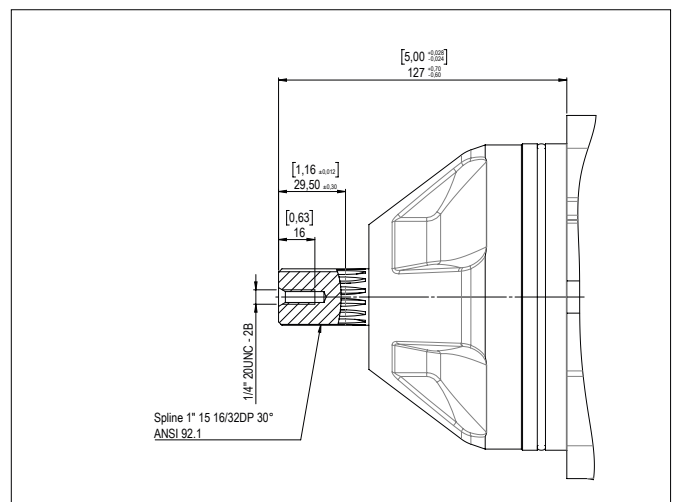
### ▶ Standard inlet ports\* :

Flanges  
M27x200



### ▶ Shaft available :

Spined shaft 1"  
SAE J498b 15T 16/32DP



\*Other ports are available on request; please consult us.

Dimensions in mm [inches] are given only as an indication.

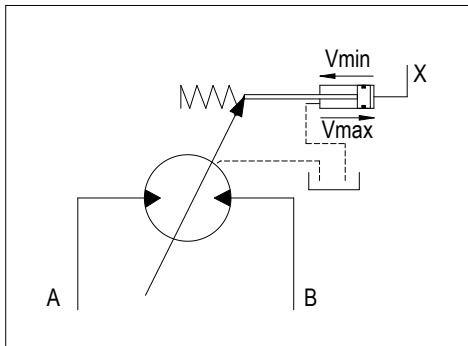
► **Technical characteristics :**

Motor	Displacement		Max. continuous speed (1)	Intermittent max. speed (1)	Max. absorbed flow	Torque	Torque at 300 bar [4350 psi]	Theoretical max. power at 350 bar [5076 psi]	Max. allowable pressure continuous / peak	Weight
	cc [cu.in]	rpm								
MSI2C45	Max.	45 [2.75]	3500	4300	158 [41.7]	0.72 [0.036]	216 [159]	92 [123.3]	350 / 400 [5076 / 5800]	17.3 [38.2]
	Min.	17 [1.04]	4000	4500	68 [17.96]	0.27 [0.014]	81 [59.8]	39.5 [53]	350 / 400 [5076 / 5800]	17.3 [38.2]
MSI2C49	Max.	49 [2.99]	3500	4300	172 [45.44]	0.78 [0.039]	234 [172.6]	100 [134.1]	350 / 400 [5076 / 5800]	17.3 [38.2]
	Min.	22 [1.34]	4000	4500	88 [23.25]	0.35 [0.018]	105 [77.44]	51 [68.4]	350 / 400 [5076 / 5800]	17.3 [38.2]

(1) For higher speeds, please contact us.

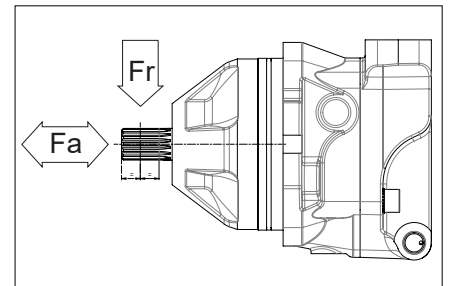
► **Displacement control :**

Displacement adjustment by hydraulic control



► **Acceptable forces applied to motor shaft :**

Motor		45	49
Fr	N	1050	1050
	lbf	236	236
Fa	N	2500	2500
	lbf	562	562



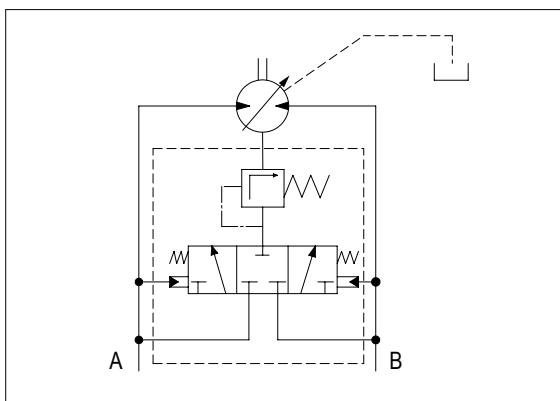
Fr : radial force measured at mid point of length of shaft.

Fa : axial force.

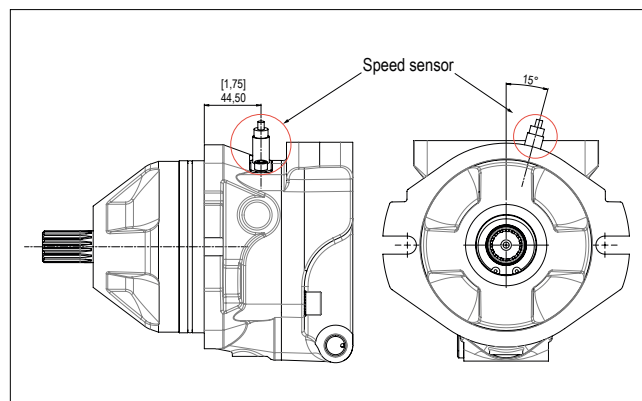
For other forces, please contact us.

► **Options on request :**

- Flushing valve (different flow levels available, please contact us).



- Speed sensor



Dimensions in mm [inches] are given only as an indication.

For further information, please contact Customer Service.  
Hervé COLIN - tel : +33(0)3 83 76 05 37 - [hcolin@hydroleduc.com](mailto:hcolin@hydroleduc.com)



[www.hydroleduc.com](http://www.hydroleduc.com)

**HYDRO LEDUC SAS**  
Siège social & Usine  
Head Office and Factory  
BP 9  
F-54122 AZERAILLES  
FRANCE  
Tel. +33 (0)3 83 76 77 40  
Fax +33 (0)3 83 75 21 58

**HYDRO LEDUC GmbH**  
Am Ziegelplatz 20  
D-77746 SCHUTTERWALD  
DEUTSCHLAND  
Tel. +49 (0) 781-9482590  
Fax + 49 (0) 781-9482592

**HYDRO LEDUC AB**  
Betongvägen 11  
461 38 TROLLHÄTTAN  
SWEDEN  
Tel. + 46 (0) 520 10 820

**HYDRO LEDUC BV**  
Ericssonstraat 2  
5121 ML Rijen  
The Netherlands  
Tel. +31 6 202 40 651

**HYDRO LEDUC N.A. Inc.**  
Grand Parkway Industrial Park  
23549 Clay Road  
KATY, TX 77493  
USA  
Tel. +1 281 679 9654