



NEW HIGH-PERFORMANCE GEP7.3 POWERPACK FOR CONTINUOUS USE.

THE PRODUCT



- Electric motor + pump assembly up to 14kW
- Brushless three-phase electric motor (robust design)
- 7.3 cc/rev radial piston pump
- Integrated electronic controller
- Rated voltage of 12, 24, 48, 96, or 400 Vdc
- Designed for continuous operation
- Allows for immersion into an oil tank (excluding controller)
- Extremely compact and lightweight
- High overall efficiency
- Designed for mobile applications
- Reduced acoustic signature
- Control: Analog or CANopen

TECHNICAL CHARACTERISTICS AND PERFORMANCES

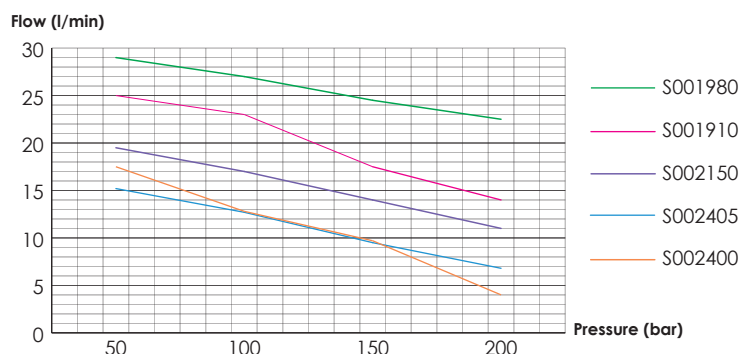
Reference	Pump side						Motor side		Weight kg
	Displacement cc/rev	Max. flow rate l/min	Max. continuous pressure bar	Max. pressure at peak bar	Minimum rotating speed rpm	Maximum rotating speed rpm	Power supply Vdc (DC)	Maximum intensity A (DC)	
GEP7.3_S002400*	7.3	22	150	200	300	3000	14	380	27
GEP7.3_S002405	7.3	19	180	250	300	2600	14	350	27
GEP7.3_S002150	7.3	25	200	250	300	3500	24	300	27
GEP7.3_S001910	7.3	25	200	330	300	3500	48	300	27
GEP7.3_S002390 ¹	7.3	25	200	250	300	3500	96	100	27
GEP7.3_S001980 ^{1,2}	7.3	30	280	330	300	4200	400	45	31 ²

AVAILABLE OPTIONS

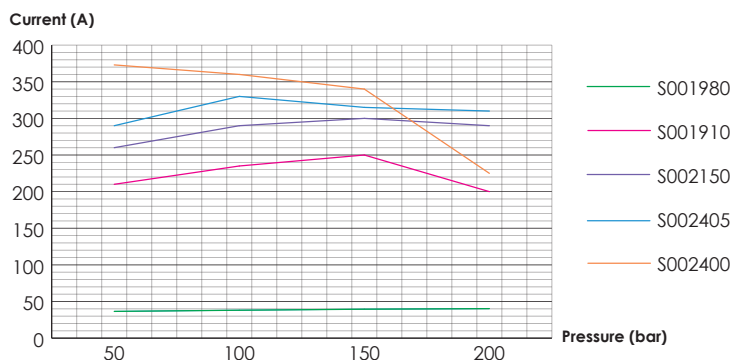
- Speed adjustment via potentiometer
- Custom programming
- Extended operating range

¹Preliminary ²Remote controller

HYDRAULIC PERFORMANCE



ELECTRICAL PERFORMANCE



FLOW

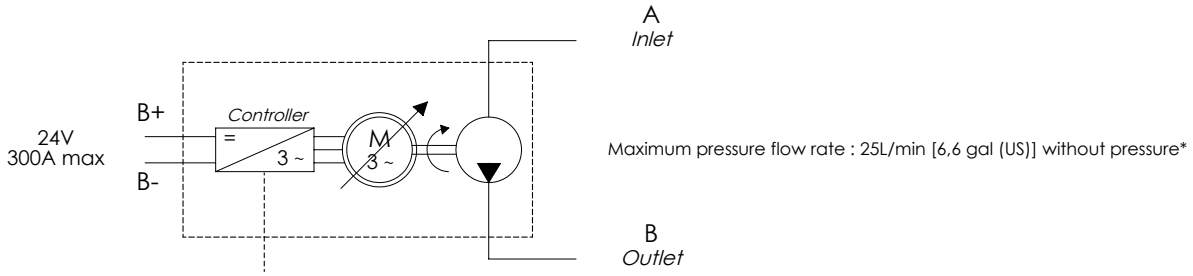
Pressure (bar)	50	100	150	200
GEP7.3_S002400	17,5	12,8	9,7	4
GEP7.3_S002405	15,2	12,7	9,5	6,7
GEP7.3_S002150	19,5	17	14	11
GEP7.3_S001910	25	23	17,5	14
GEP7.3_S001980	29	27	24,5	22,5

CURRENT

Pressure (bar)	50	100	150	200
GEP7.3_S002400	373	360	340	225
GEP7.3_S002405	290	330	315	310
GEP7.3_S002150	260	290	300	290
GEP7.3_S001910	210	235	250	200
GEP7.3_S001980	36,5	38,1	39,5	40,3

ELECTRO-HYDRAULIC DIAGRAM

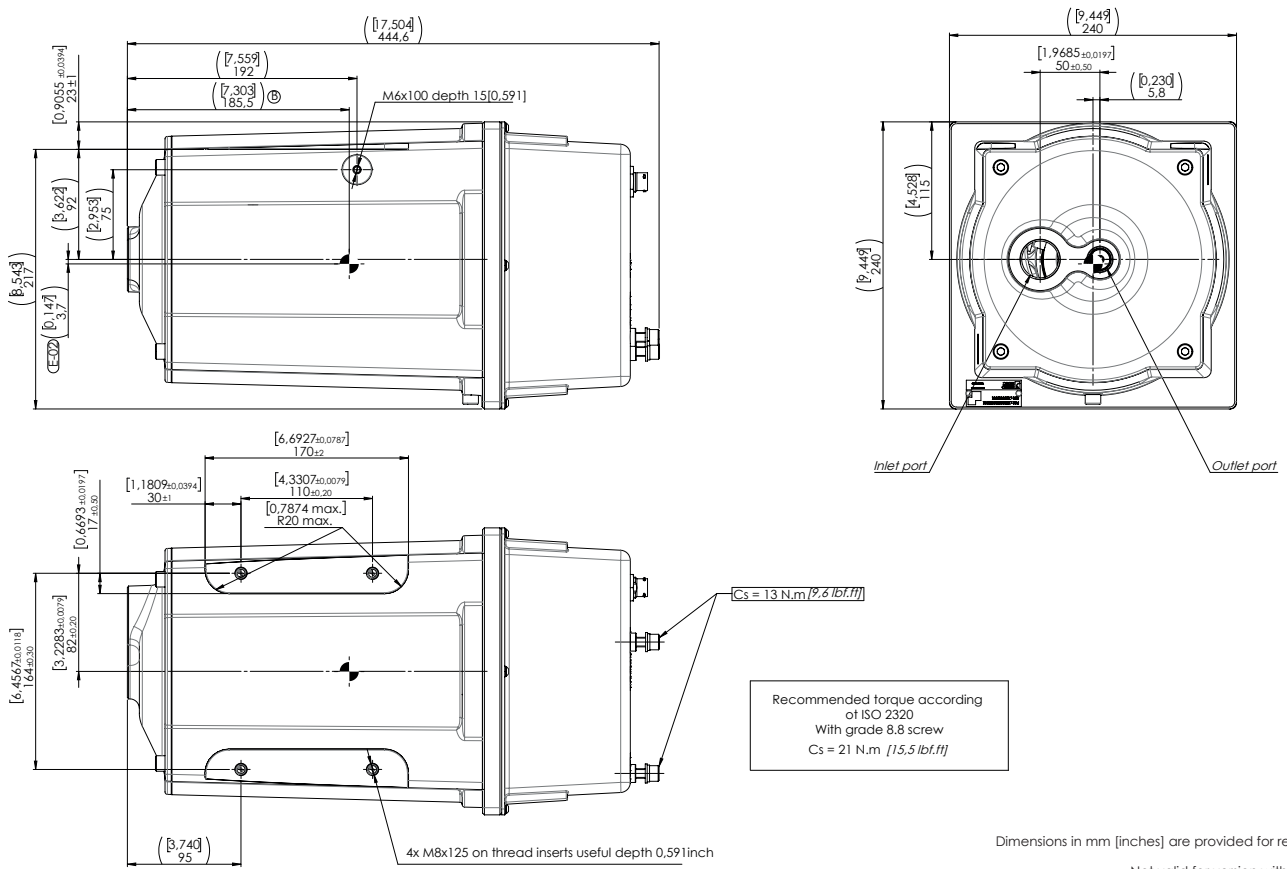
Maximum pressure on outlet port : 5 bar [72 Psi] peak*
 Minimum pressure on outlet port : >0 bar [>Psi]



Maximum pressure on outlet port : 200 bar [2900 Psi] continuous
 Maximum pressure on outlet port : 330 bar [4786 Psi] peak

*According to Part Number

DIMENSIONS OF THE GEP7.3 IN MM [INCHES]



Dimensions in mm [inches] are provided for reference purposes.

Not valid for version with remote controller.

APPLICATION



GEP7.3

Watch the 3D animation video



For further information, feel free to contact our Customer Service.

HYDRO LEDUC SAS
 Head Office & Factory
 BP 9
 F-54122 AZERAILLES
 FRANCE
 Tel. +33 (0)3 83 76 77 40

HYDRO LEDUC GmbH
 Am Ziegelplatz 20
 D-77746 SCHUTTERWALD
 DEUTSCHLAND
 Tel. +49 (0) 781-9482590

HYDRO LEDUC AB
 Betongvägen 11
 461 38 TROLLHÄTTAN
 SWEDEN
 Tel. + 46 (0) 520 10 820

HYDRO LEDUC BV
 Ericssonstraat 2
 5121 ML Rijen
 The Netherlands
 Tel. +31 6 202 40 651

HYDRO LEDUC N.A. Inc.
 Grand Parkway Industrial Park
 23549 Clay Road
 KATY, TX 77493
 USA
 Tel. +1 281 679 9654