



NEW HIGH-PERFORMANCE GEP7.3 POWERPACK FOR CONTINUOUS USE.



THE PRODUCT

- Electric motor + pump assembly up to 14kW
- Brushless three-phase electric motor (robust design)
- 7.3 cc/rev radial piston pump
- Integrated electronic controller
- Rated voltage of 12, 24, 48, 96, or 400 Vdc
- Designed for continuous operation
- Allows for immersion into an oil tank (excluding controller)
- Extremely compact and lightweight
- High overall efficiency
- Designed for mobile applications
- Reduced acoustic signature
- Control: Analog or CANopen

TECHNICAL CHARACTERISTICS AND PERFORMANCES

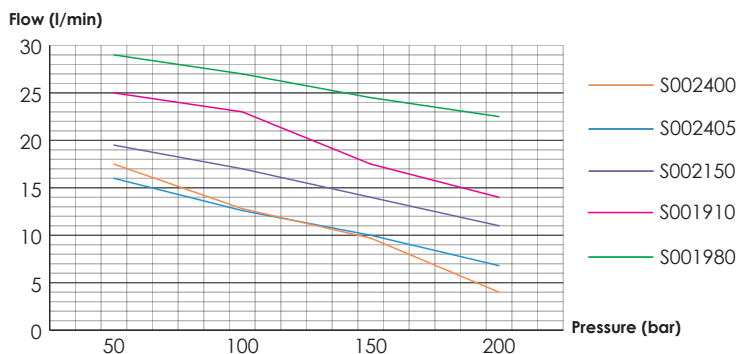
Reference	Pump side						Motor side		Weight kg
	Displacement cc/rev	Max. flow rate l/min	Max. continuous pressure bar	Max. pressure at peak bar	Minimum rotating speed rpm	Maximum rotating speed rpm	Power supply Vdc (DC)	Maximum intensity A (DC)	
GEP7.3_S002400*	7.3	22	150	200	300	3000	14	380	27
GEP7.3_S002405	7.3	19	180	250	300	2600	14	350	27
GEP7.3_S002150	7.3	25	200	250	300	3500	24	300	27
GEP7.3_S001910	7.3	25	200	330	300	3500	48	300	27
GEP7.3_S002390***	7.3	20	330	330	300	3500	96	150	27
GEP7.3_S001980*	7.3	30	280	330	300	4200	400	45	31**

AVAILABLE OPTIONS

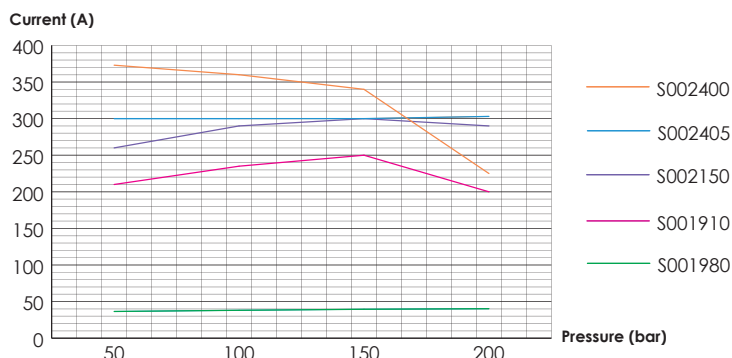
- Speed adjustment via potentiometer
- Custom programming
- Extended operating range

* Prototype available for testing ** Remote controller *** Preliminary

HYDRAULIC PERFORMANCE



ELECTRICAL PERFORMANCE

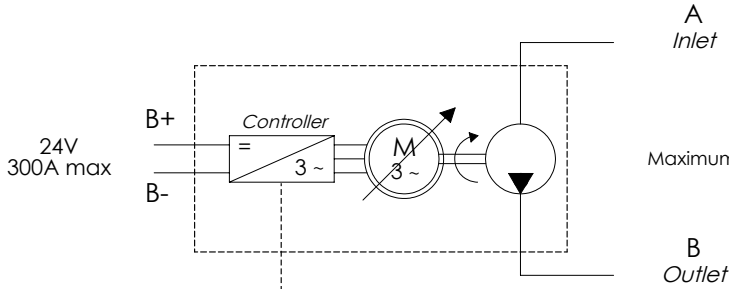


Pressure (bar)	50	100	150	200
GEP7.3_S002400	17,5	12,8	9,7	4
GEP7.3_S002405	16	12,6	10	6,8
GEP7.3_S002150	19,5	17	14	11
GEP7.3_S001910	25	23	17,5	14
GEP7.3_S001980	29	27	24,5	22,5

Current (A)	50	100	150	200
GEP7.3_S002400	373	360	340	225
GEP7.3_S002405	300	300	300	303
GEP7.3_S002150	260	290	300	290
GEP7.3_S001910	210	235	250	200
GEP7.3_S001980	36,5	38,1	39,5	40,3

ELECTRO-HYDRAULIC DIAGRAM

Maximum pressure on outlet port: 5 bar [72 Psi] peak*
 Minimum pressure on outlet port : >0 bar [>Psi]

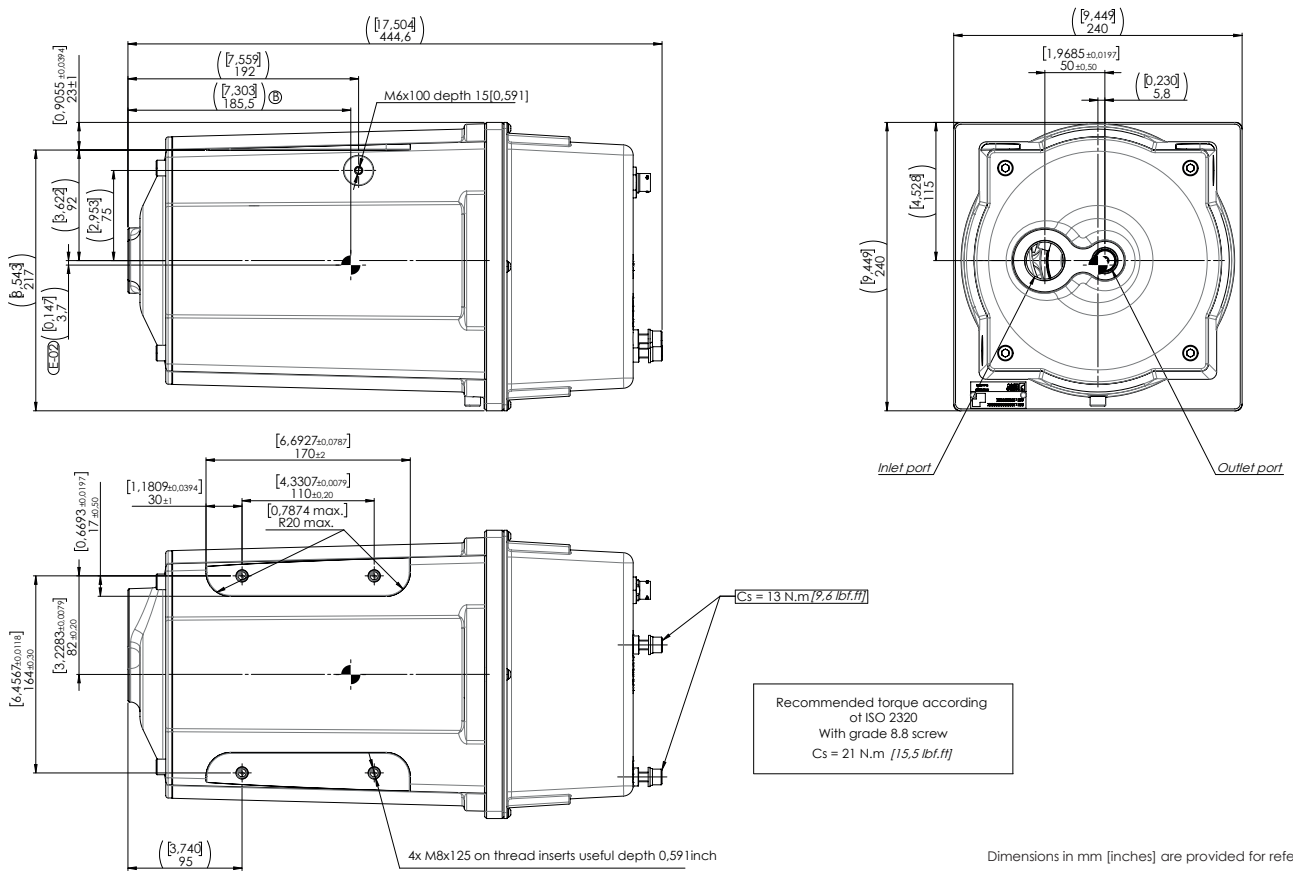


Maximum pressure flow rate : 25L/min [6,6 gal (US)] without pressure*

Maximum pressure on outlet port: 200 bar [2900 Psi] continuous
 Maximum pressure on outlet port : 330 bar [4786 Psi] peak

*According to Part Number

DIMENSIONS OF THE GEP7.3 IN MM [INCHES]



APPLICATION



GEP7.3

Watch the 3D animation video



For further information, feel free to contact our Customer Service.

HYDRO LEDUC SAS
 Siège social & Usine
 Head Office and Factory
 BP 9
 F-54122 AZERAILLES
 FRANCE
 Tel. +33 (0)3 83 76 77 40

HYDRO LEDUC GmbH
 Am Ziegelplatz 20
 D-77746 SCHUTTERWALD
 DEUTSCHLAND
 Tel. +49 (0) 781-9482590

HYDRO LEDUC AB
 Betongvägen 11
 461 38 TROLLHÄTTAN
 SWEDEN
 Tel. + 46 (0) 520 10 820

HYDRO LEDUC BV
 Ericssonstraat 2
 5121 ML Rijen
 The Netherlands
 Tel. +31 6 202 40 651

HYDRO LEDUC N.A. Inc.
 Grand Parkway Industrial Park
 23549 Clay Road
 KATY, TX 77493
 USA
 Tel. +1 281 679 9654