



## NEW HIGH-PERFORMANCE GEP7.3 POWERPACK FOR CONTINUOUS USE.

### THE PRODUCT



- Electric motor + pump assembly up to 14kW
- Brushless three-phase electric motor (robust design)
- 7.3 cc/rev radial piston pump
- Integrated electronic controller
- Rated voltage of 12, 24, 48, 96, or 400 Vdc
- Designed for continuous operation
- Allows for immersion into an oil tank (excluding controller)
- Extremely compact and lightweight
- High overall efficiency
- Designed for mobile applications
- Reduced acoustic signature
- Control: Analog or CANopen

### TECHNICAL CHARACTERISTICS AND PERFORMANCES

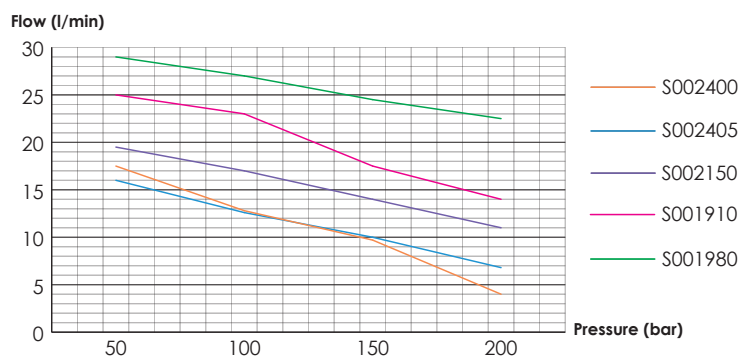
Reference	Pump side						Motor side		Weight kg
	Displacement	Max. flow rate	Max. continuous pressure	Max. pressure at peak	Minimum rotating speed	Maximum rotating speed	Power supply	Maximum intensity	
	cc/rev	l/min	bar	bar	rpm	rpm	Vdc (DC)	A (DC)	
GEP7.3_S002400*	7.3	22	150	200	300	3000	14	380	27
GEP7.3_S002405	7.3	19	180	250	300	2600	14	350	27
GEP7.3_S002150	7.3	25	200	250	300	3500	24	300	27
GEP7.3_S001910	7.3	25	200	330	300	3500	48	300	27
GEP7.3_S002390***	7.3	25	200	250	300	3500	96	100	27
GEP7.3_S001980*	7.3	30	280	330	300	4200	400	45	31**

### AVAILABLE OPTIONS

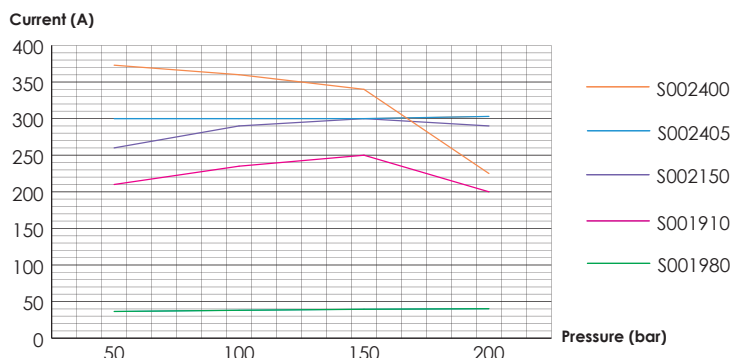
- Speed adjustment via potentiometer
- Custom programming
- Extended operating range

\* Prototype available for testing \*\* Remote controller \*\*\* Preliminary

### HYDRAULIC PERFORMANCE



### ELECTRICAL PERFORMANCE

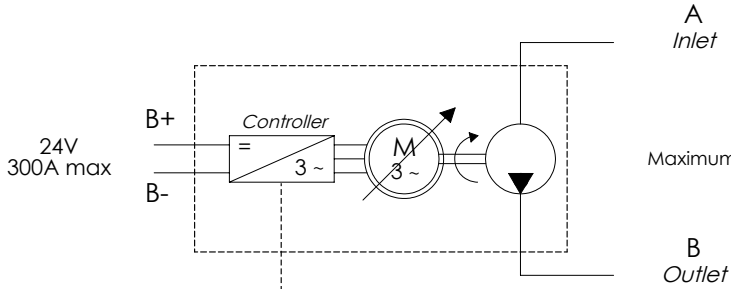


Pressure (bar)	50	100	150	200
GEP7.3_S002400	17,5	12,8	9,7	4
GEP7.3_S002405	16	12,6	10	6,8
GEP7.3_S002150	19,5	17	14	11
GEP7.3_S001910	25	23	17,5	14
GEP7.3_S001980	29	27	24,5	22,5

Current (A)	50	100	150	200
GEP7.3_S002400	373	360	340	225
GEP7.3_S002405	300	300	300	303
GEP7.3_S002150	260	290	300	290
GEP7.3_S001910	210	235	250	200
GEP7.3_S001980	36,5	38,1	39,5	40,3

## ELECTRO-HYDRAULIC DIAGRAM

Maximum pressure on outlet port: 5 bar [72 Psi] peak\*  
 Minimum pressure on outlet port : >0 bar [>Psi]

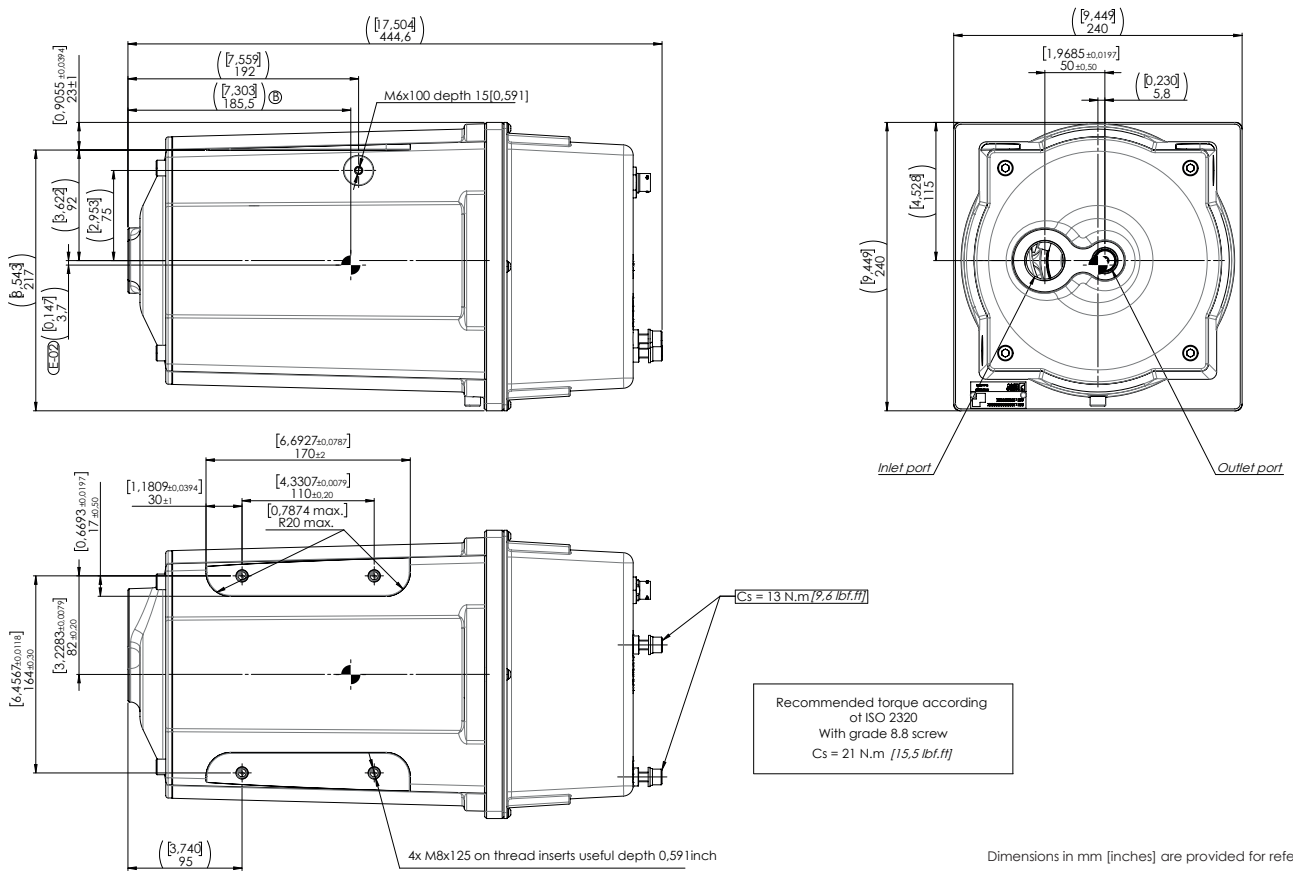


Maximum pressure flow rate : 25L/min [6,6 gal (US)] without pressure\*

Maximum pressure on outlet port: 200 bar [2900 Psi] continuous  
 Maximum pressure on outlet port : 330 bar [4786 Psi] peak

\*According to Part Number

## DIMENSIONS OF THE GEP7.3 IN MM [INCHES]



## APPLICATION



# GEP7.3

Watch the 3D animation video



For further information, feel free to contact our Customer Service.

**HYDRO LEDUC SAS**  
 Siège social & Usine  
 Head Office and Factory  
 BP 9  
 F-54122 AZERAILLES  
 FRANCE  
 Tel. +33 (0)3 83 76 77 40

**HYDRO LEDUC GmbH**  
 Am Ziegelplatz 20  
 D-77746 SCHUTTERWALD  
 DEUTSCHLAND  
 Tel. +49 (0) 781-9482590

**HYDRO LEDUC AB**  
 Betongvägen 11  
 461 38 TROLLHÄTTAN  
 SWEDEN  
 Tel. + 46 (0) 520 10 820

**HYDRO LEDUC BV**  
 Ericssonstraat 2  
 5121 ML Rijen  
 The Netherlands  
 Tel. +31 6 202 40 651

**HYDRO LEDUC N.A. Inc.**  
 Grand Parkway Industrial Park  
 23549 Clay Road  
 KATY, TX 77493  
 USA  
 Tel. +1 281 679 9654